

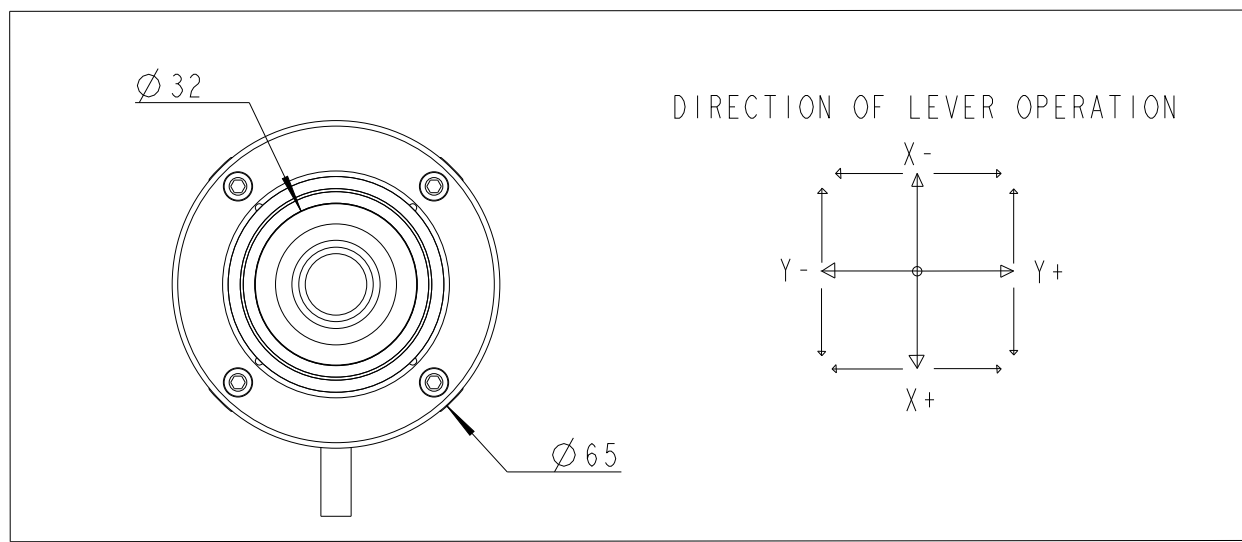
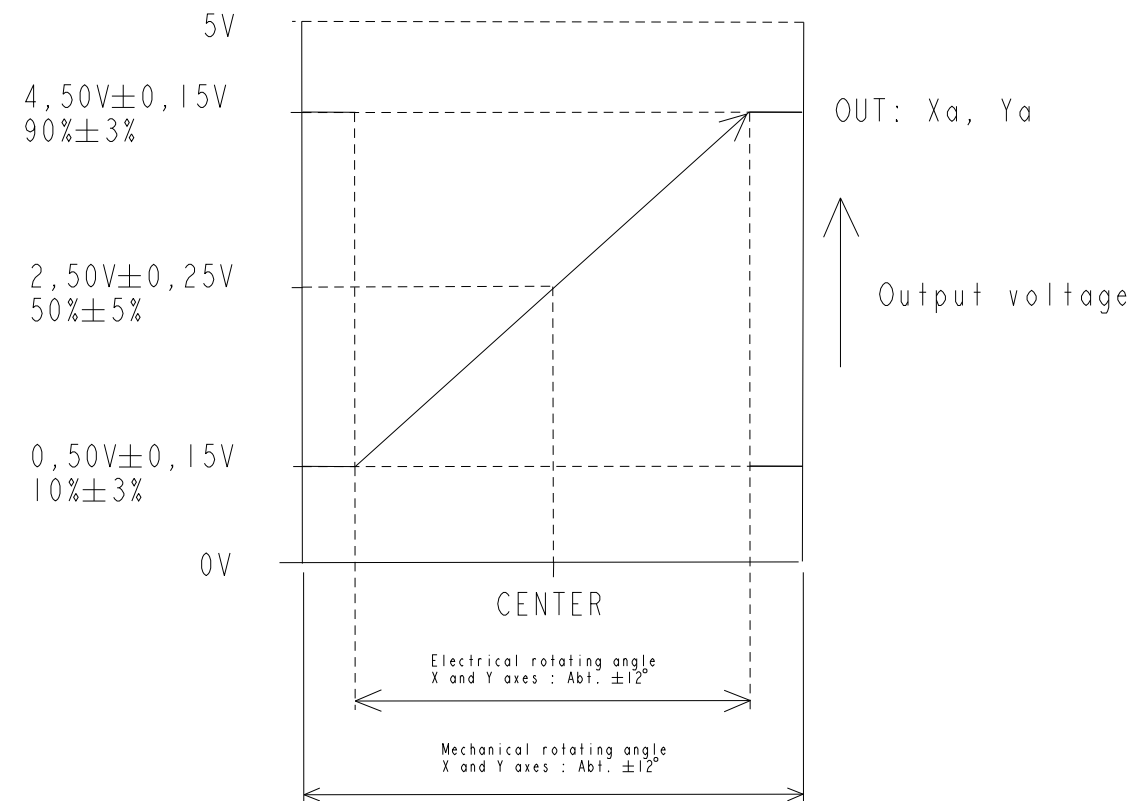
TERMINAL CONFIGURATION

Pin:	Function:	Color
1	+5VDC-X,Y	Red
2	GND-X,Y	Black
3	XA	White
4	YA	Blue
5	COM-PB I	Grey
6	PB I	Pink

Contact: DT04-06P

SCALE 1:2

OUTPUT CHARACTERISTICS



Each axes ⊖ direction ← → Each axes ⊕ direction