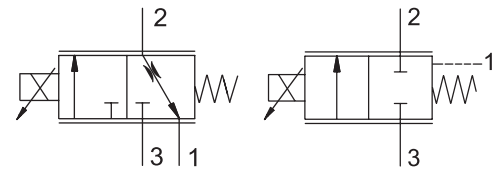
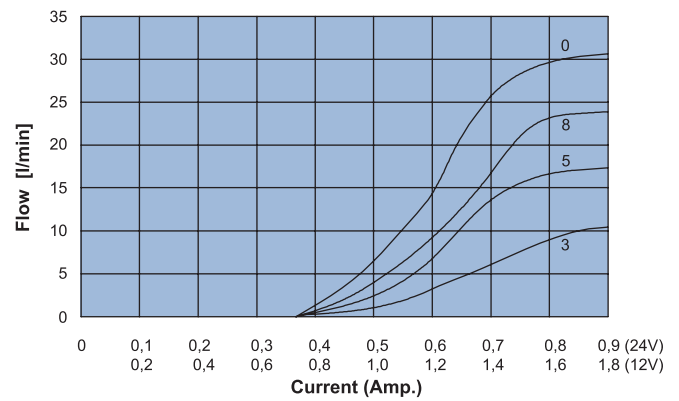
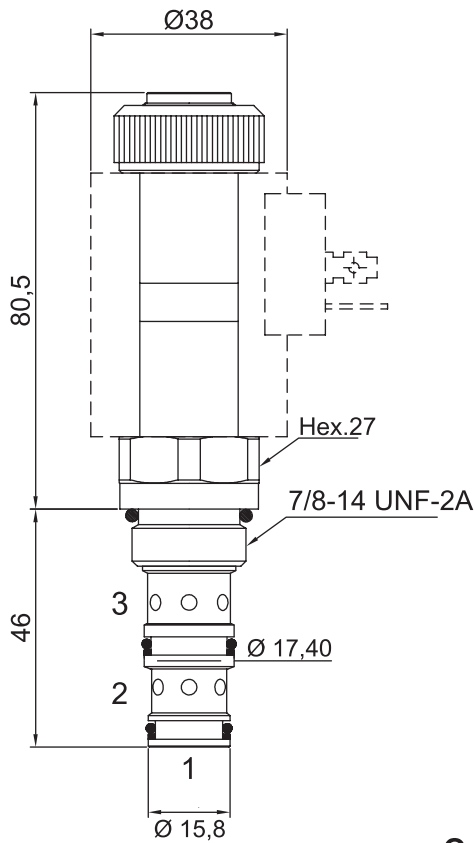


3 WAY NORMALLY CLOSED SPOOL VALVE, ELECTRO-PROPORTIONAL FLOW CONTROL

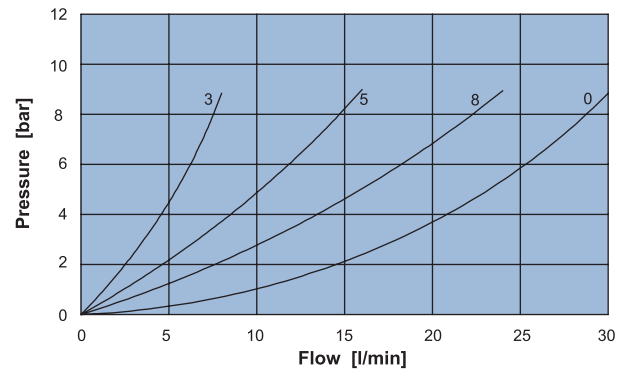
- Flow **30 l/min**
- Max working pressure in 1:2:3. **350 bar**
- Application limits with Δp max from 3 to 2. **15 bar**
- Leakage **150 cc/min**
- Seals **NBR and PTFE**
- Max current at 12 Vcc **1800mA**
- Max current at 24 Vcc **900mA**
- PWM **120 Hz**
- Hysteresis. **5%**
- Cartridge tightening torque **40 Nm**
- Ring nut tightening torque **5 Nm**
- Weight (with coil). **0,56 Kg**
- Cavity **C330000** page 220
- Body. **171312** page 192
- Coil (to be ordered separately) **09800** page 180



Scheme 0 **Scheme 1**



Graph flow/current with Δp from 3 to 2 of 7 bar



Pressure drop with de-energized coil

Ordering code

0 3 5 3 [] [] **0** [] **0 1**

0 **1**
Hydraulic scheme

0 **3** **5** **8**
100% Q.max **30% Q.max** **50% Q.max** **80% Q.max**
Flow range

