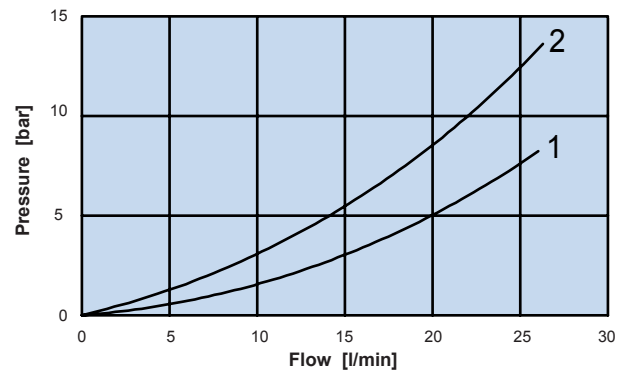
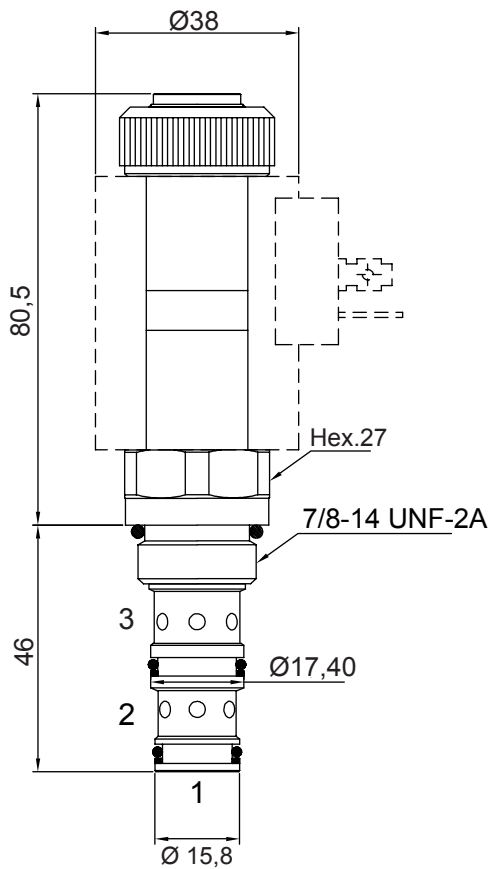
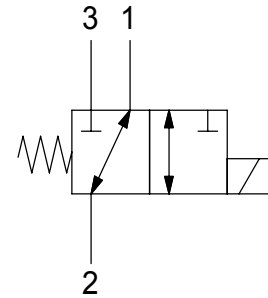


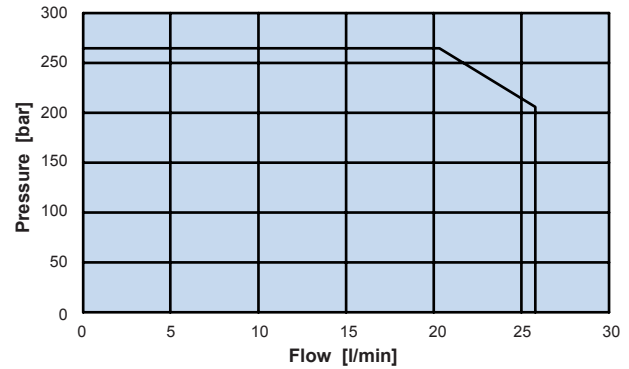
**3 WAYS 2 POSITIONS ELECTRIC SPOOL VALVE, DIRECT ACTING**

- Flow ..... **20 l/min**
- Max working pressure..... **250 bar**
- Leakage ..... **100 cc/min**
- Seals ..... **NBR**
- Cavity ..... **C330000**
- Cartridge tightening torque..... **40 Nm**
- Ring nut tightening torque ..... **5 Nm**
- Weight (with coil)..... **0,56 Kg**
- Coil **CT-9801** to be ordered separately



1 = Pressure drop from 2 in 1  
2 = Pressure drop from 3 in 2

101



Application limits from 2 in 1 and 2 in 3

**Ordering code**

**0 4 0 3 2 0 0 0 0**

