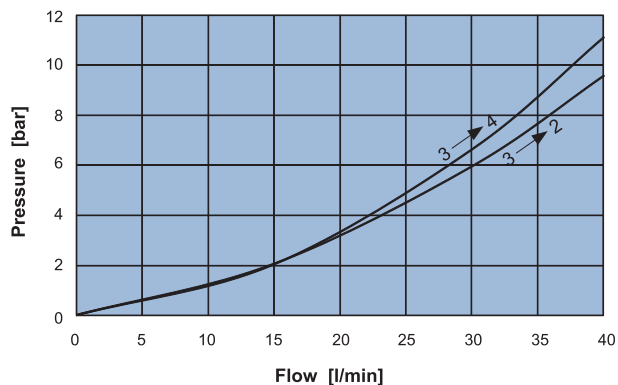
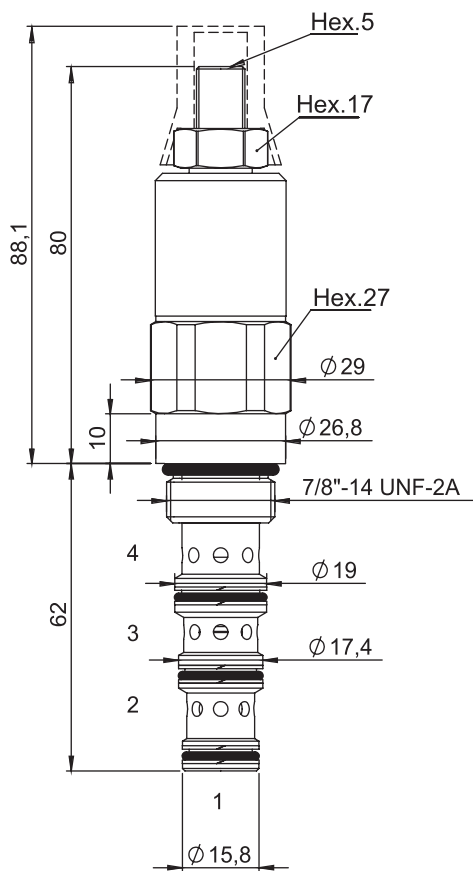
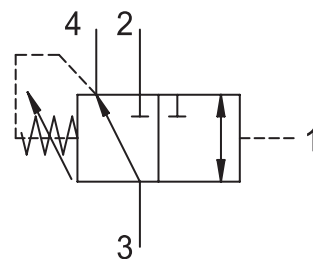


**ADJUSTABLE SETTING DIRECTIONAL VALVE**

- Max Flow.....**50 l/min**
- Max Pressure.....**350 bar**
- Seals.....**NBR and PTFE**
- Cartridge tightening torque.....**50 Nm**
- Weight.....**0,35 Kg**
- Cavity.....**C430000** page 226
- Body.....**171322** page 195



**Ordering code**

**0 4 8 3 4 1**       **0 0**

SPRINGS	1	2	3
Setting	2 - 10 bar	5 - 20 bar	10 - 60 bar
Standard setting	5	8	20
Bar/turn	1,9	3	10,3

