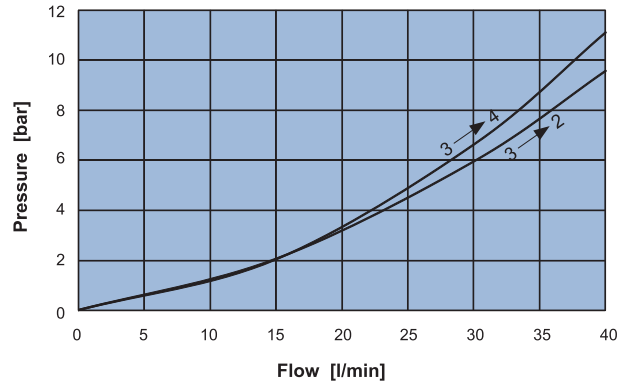
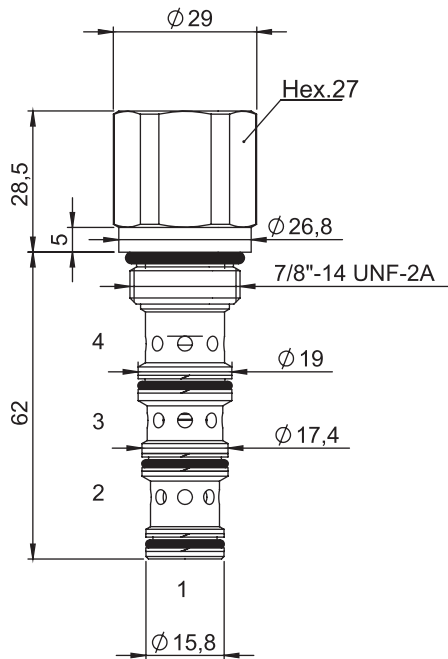
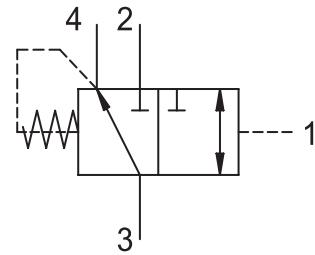


FIXED SETTING DIRECTIONAL VALVE

- Max Flow.....**50 l/min**
- Max Pressure.....**350 bar**
- Seals.....**NBR and PTFE**
- Cartridge tightening torque.....**50 Nm**
- Weight.....**0,2 Kg**
- Cavity.....**C430000** page 226
- Body.....**171322** page 195



Ordering code

0 4 8 3 4 1 **0 0**

SPRINGS	1
Setting [bar]	6

3
Fix setting Adjustments