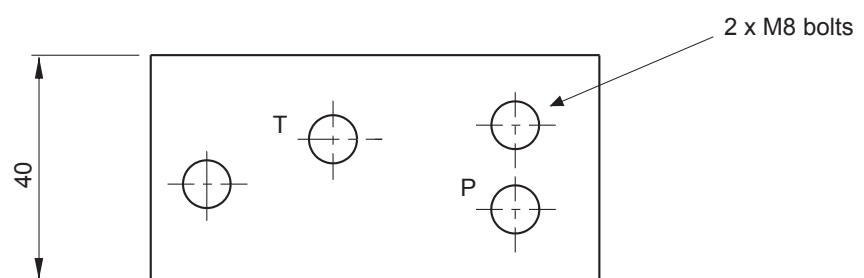
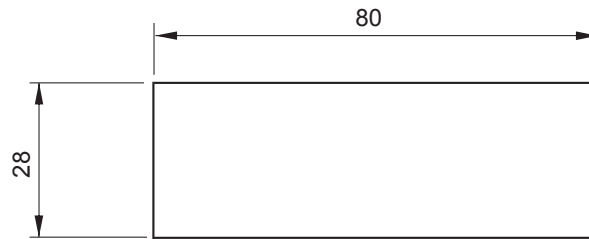


SPACER ELEMENT



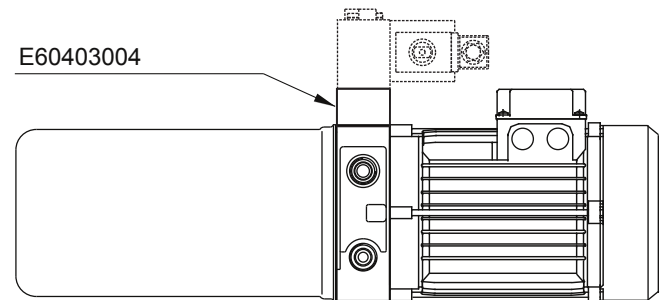
Weight: 0,23 kg

Fixing system: 2xM8 tie-rods
steel class 8.8 or above



Suitable for: all central manifolds with AC motors with frame bigger than 71 and DC motors with frame bigger than Ø125.

Mounting example



Spare part code
E60403004