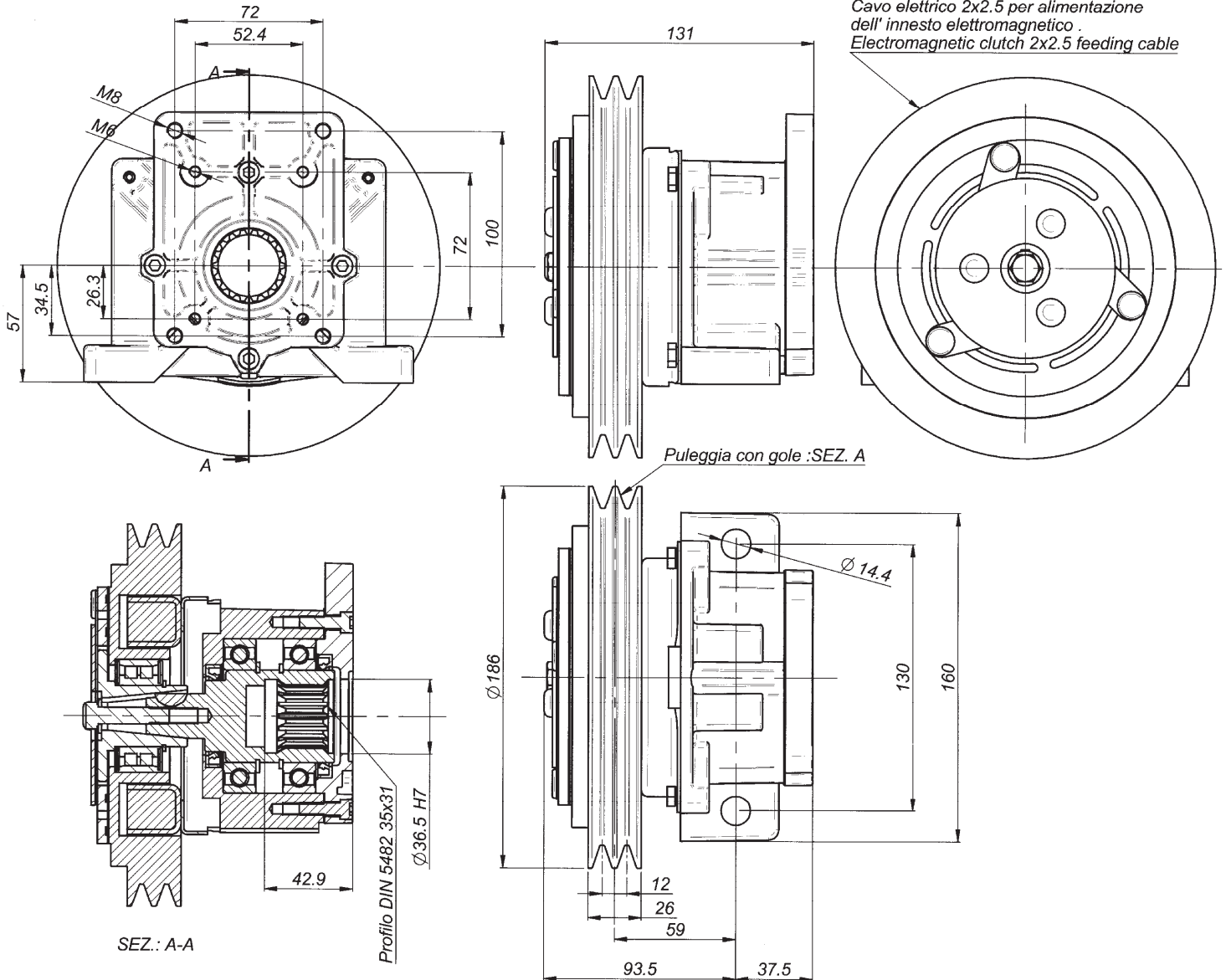
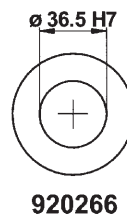
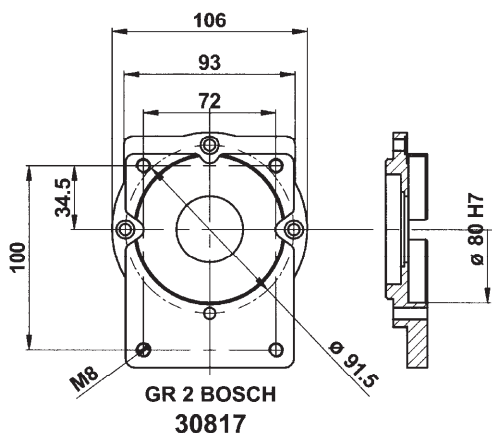
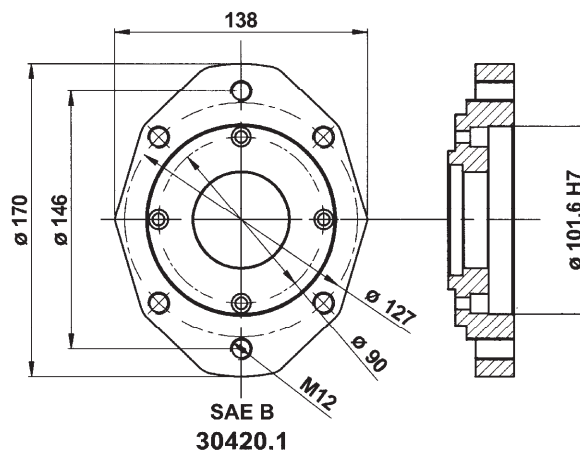
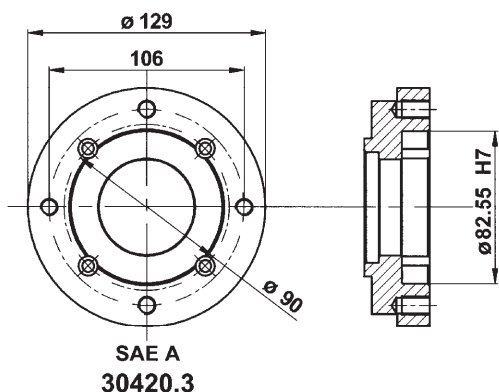
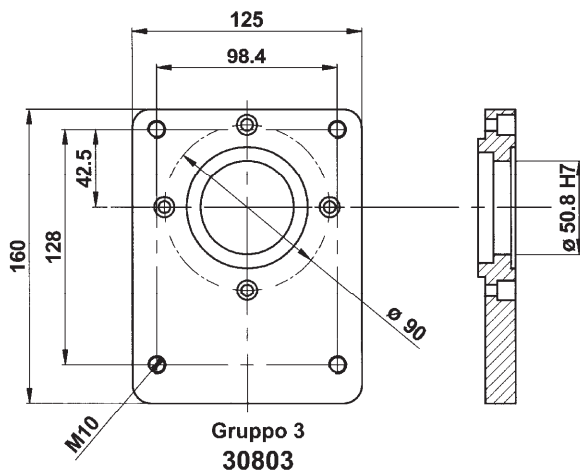
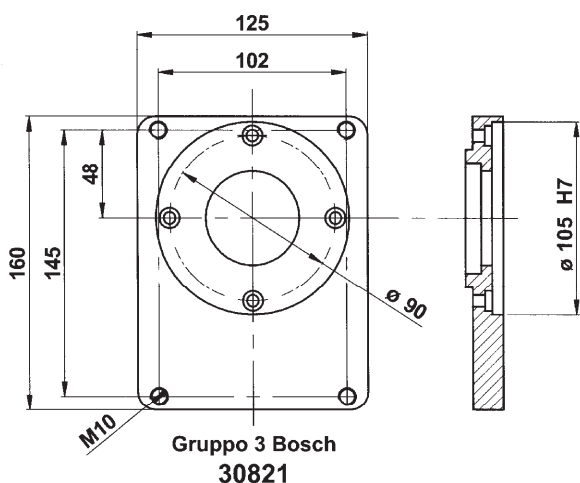


SERIE: 30990 12 Volt

SERIE: 30991 24 Volt

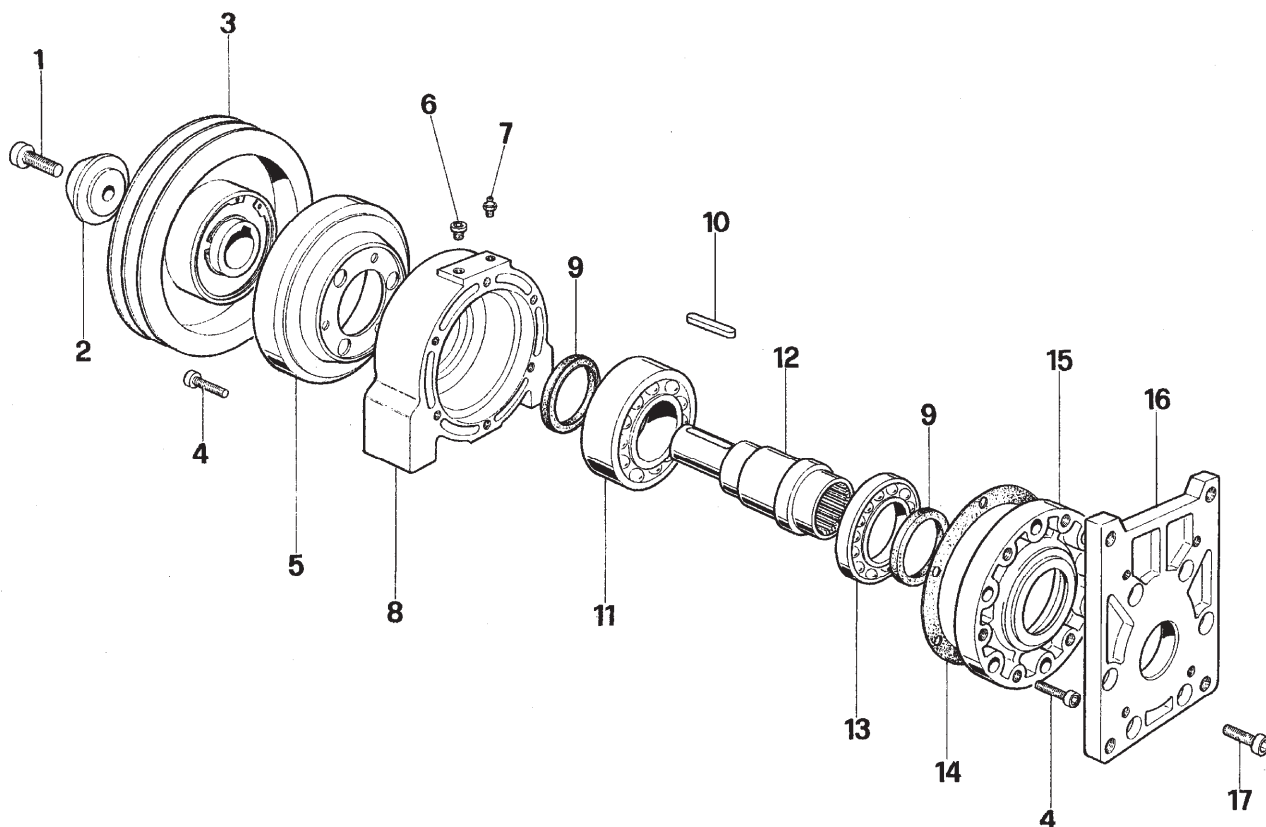


Nominal torque	16,0 daNm		Connection time	25 m/sec		
Static torque	21,0 daNm		Disconnection time	40 m/sec		
Dynamic torque	14,5 daNm	at 500 rpm	Minimum time between two connection	20 sec		
	12,0 daNm	at 1000 rpm				
	9,5 daNm	at 1500 rpm				
	8,8 daNm	at 2000 rpm	Max speed	5000 rpm		
	8,0 daNm	at 2500 rpm	Weight	8 Kg		
	7,8 daNm	at 3000 rpm				
Electric absorption	Resistance (Ω)		Current (A)		Power (W)	
	20° C	120° C	20° C	120° C	20° C	120° C
12 V DC	2,96	3,97	4,05	2,71	48,70	32,50
24 V DC	12,30	16,60	1,95	1,31	47,00	30,70
All technical data are at 20°C / at 120 °C the performance are less 20%						
All electromagneteic clutches are reversible.						



CODICE, CODE, CODE No., CODENUMMER

Electric absorption	FLANGIA: TIPO, BRIDE: TYPE, FLANGE: TYPE, FLANSCHTYPE				
	Gr.2 BOSCH	Gr.3	Gr. 3 BOSCH	SAE A	SAE B
12 Volt	30990/2B	30992	30992/3B	30990/SA	30990/SB
24 Volt	30991/2B	30993	30993/3B	30991/SA	30991/SB



POS.	CODICE	DENOMINAZIONE	DENOMINATION	DESCRIPTION	BEZEICHNUNG	Q.TA'
1	611645	Vite T.C.E.I. M16x45	Vis T.C.H.C. M16x45	Socket capscrew M16x45	Befestigungsschraube UNI 5931 M16x45	1
2	RSP016	Rondella speciale D.16	Special rondelle d.16	Special washer d.16	Rosette d.16	1
3	4050/229BP	Elettrofrizione	Electro-embayage	Electric clutch	Elektroschaltkupplung	1
4	611020	Vite T.C.E.I. M10x20	Vis T.C.H.C. M10x20	Socket capscrew M10x20	Befestigungsschraube UNI 5931 M10x20	3
5	401250/229B 402450/229B	Bobina	Bobine	Coil	Zundspule	1
6	940182	Tappo scarico olio 1/8" G	Bouchon vindage huile 1/8"G	Oil drain plug 1/8"G	Olablabschraube 1/8"G	1
7	500000.1	Ingrassatore M8x1.25	Graisneur M8x1.25	Grease nipple M8x1.25	Fettbuchse M8x1.25	1
8	30009.30	Scatola	Carcasse	Housing	Gehuase	1
9	306075	Anello di tenuta 60x75x8	Bague d'etancheite 60x75x8	Sealing ring 60x75x8	Dichtring , durchm. 60x75x8	2
10	421086	Chiavetta 10x8x60 UNI 6604	Clavette 10x8x60 UNI 6604	Key 10x8x60 UNI 6604	Keil 10x8x60 UNI 6604	1
11	503212/Z	Cuscinetto 3212 A	Pallier 3212 A	Bearing 3212 A	Kugellager 3212 A	1
12	Ac30940	Albero	Arbre	Shaft	Welle	1
13	501601/Z	Cuscinetto 16012 A	Pallier 16012 A	Bearing 16012 A	Kugellager 16012 A	1
14	30470.2	Guarnizione	Joint	Gasket	Dichtung	1
15	30470	Flangia circolare	Bride circulaire	Round flange	Runder flansch	1
16	30900.1	Flangia pompa	Bride	Flange	Flansch	1
17	611025	Vite T.C.E.I. M10x25	Vis T.C.H.C. M10x25	Socket capscrew M10x25	Befestigungsschraube UNI 5931 M10x25	6