

**INTEGRAL AC MOTORS**



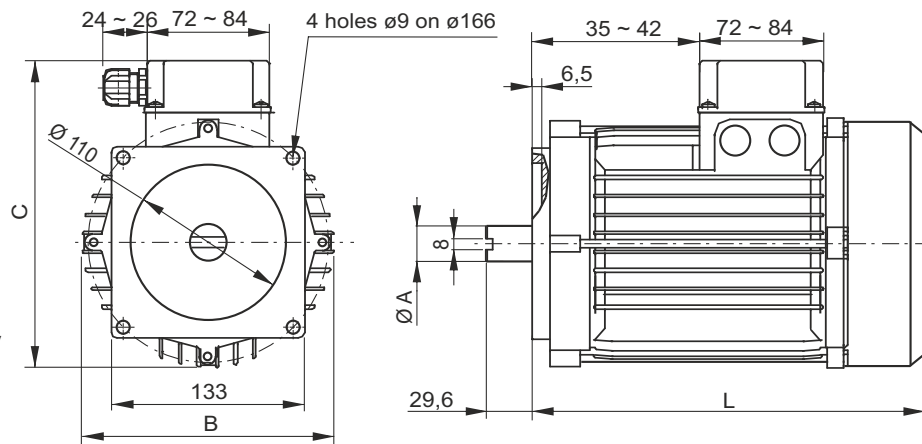
**Integral motors:** these are motors with a peculiar square flange and tang drive shaft, specifically engineered and manufactured for our mini power packs, featuring high power density and direct connection to the PPC central manifold. They are available in single phase or three phase execution, in frame 71, 80, 90 and 100, with square flange and tang drive shaft.

Additional nominal powers and/or special designs are available on request. Standard motors are for intermittent use: **S3 40%** means a typical duty cycle consisting of up to six cycles (on-off) in one hour with the motor ON and OFF for 4 min to 6 min. These motors can be used in emergency situations even in continuous use at a reduced power (30% less than the nominal value S3).



Drawings show typical three phase motors. Single phase motors have a larger wiring box which also contains the capacitor(s) or can have an external capacitor(s).

Protection degree: IP54  
Insulation class: F  
Type of duty: S3 = intermittent duty

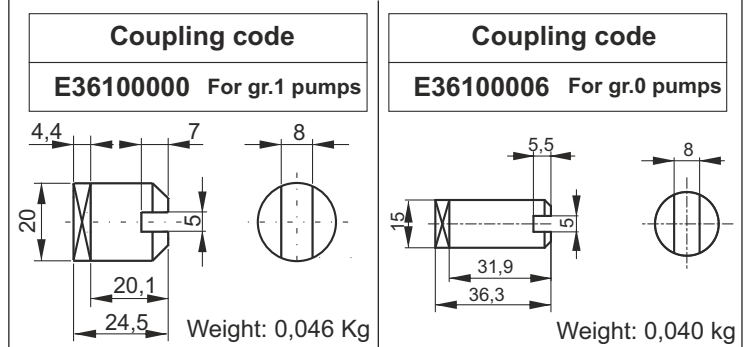


**PPC motor assembly code**

<b>E</b>	AC integral motor
<b>1,5</b>	Maximum Power [kW]
<b>AC</b>	Alternate current
<b>3</b>	Phase: 3 = three phase S = single phase
<b>4</b>	Poles: 4 = four poles 2 = two poles
<b>90</b>	Frame

See a table of available motors on next page

A single tang drive coupling fits all motor frame sizes. This is the same coupling (pump side) included in the B14 motors mounting kit. The coupling is already included when specifying an integral AC motor in the PPC assembly code. When ordering spare motors, the coupling is not included and must be ordered separately.



**OPTIONS**



**Start-up valve for single phase electric motors**

It allows single-phase motors starting under load, overcoming the inherent limitation of single phase induction motors. It should be mounted in cavity 9 of the central manifold, after appropriate machining has been made.

For more details see SUV01\* technical table in section D.

## SECTION A



## INTEGRAL AC MOTORS

## Three-phase 4 poles (~1450 rpm at 50Hz)

Frame size	Maximum Power (S3 40%)	Assembly code	Spare part code	Ø A	B	C	L	Weight kg
71	0,37kW (0,5HP)	E0,37AC 34 71	E037AC341S3	17	138	180	214	5,5
	0,55kW (0,75HP)	E0,55AC 34 71	E055AC341S3	17	138	180	214	5,5
	0,75kW (1HP)	E0,75AC 34 71	E075AC341S3	17	138	180	214	5,5
80	1,1kW (1,5HP)	E1,1AC 34 80	E110AC342S3	19	156	202	251	10,5
90	1,5kW (2HP)	E1,5AC 34 90	E150AC343S3	24	176	217	277	14
	2,2kW (3HP)	E2,2AC 34 90	E220AC343S3	24	176	217	277	15
	3kW (4HP)	E3,0AC 34 90	E300AC343S3	24	176	217	277	16
100	4kW (5,5HP)	E4,0AC 34 100	E400AC344S3	25	191	248	321	25
	5,5kW (7,5HP)	E5,5AC 34 100	E550AC344S3	25	191	248	321	32

## Three-phase 2 poles (~2900 rpm at 50Hz)

Frame size	Maximum Power (S3 40%)	Assembly code	Spare part code	Ø A	B	C	L	Weight kg
71	0,55kW (0,75HP)	E0,55AC 32 71	E055AC321S3	17	138	180	214	5
	0,75kW (1HP)	E0,75AC 32 71	E075AC321S3	17	138	180	214	5
80	1,1kW (1,5HP)	E1,1AC 32 80	E110AC322S3	19	156	202	251	10
	1,5kW (2HP)	E1,5AC 32 80	E150AC322S3	19	156	202	251	11
	2,2kW (3HP)	E2,2AC 32 80	E220AC322S3	19	156	202	251	12
90	3kW (4HP)	E3,0AC 32 90	E300AC323S3	24	176	217	277	16
	4kW (5HP)	E4,0AC 32 90	E400AC323S3	24	176	217	277	16
100	5,5kW (7,5HP)	E5,5AC 32 100	E550AC324S3	25	191	248	321	35

## Single-phases 4 poles (~1450 rpm at 50Hz)

Frame size	Maximum Power (S3 40%)	Assembly code	Spare part code	Ø A	B	C	L	Weight kg
71	0,37kW (0,5HP)	E0,37AC S4 71	E037ACS41S3	17	138	180	214	6,5
	0,55kW (0,75HP)	E0,55AC S4 71	E055ACS41S3	17	138	180	214	7,2
80	0,75kW (1HP)	E0,75AC S4 80	E075ACS42S3	19	156	202	251	10
90	1,1kW (1,5HP)	E1,1AC S4 90	E110ACS43S3	24	176	217	277	13
	1,5kW (2HP)	E1,5AC S4 90	E150ACS43S3	24	176	217	277	15
	2,2kW (3HP)	E2,2AC S4 90	E220ACS43S3	24	176	217	277	15,5
100	3kW (4HP)	E3,0AC S4 100	E300ACS44S3	25	191	248	321	25

## Single-phase 2 poles (~2900 rpm at 50Hz)

Frame size	Maximum Power (S3 40%)	Assembly code	Spare part code	Ø A	B	C	L	Weight kg
71	0,55kW (0,75HP)	E0,55AC S2 71	E055ACS21S3	17	138	180	214	6
	0,75kW (1HP)	E0,75AC S2 71	E075ACS21S3	17	138	180	214	6,5
80	1,1kW (1,5HP)	E1,1AC S2 80	E110ACS22S3	19	156	202	251	10
	1,5kW (2HP)	E1,5AC S2 80	E150ACS22S3	19	156	202	251	11
90	2,2kW (3HP)	E2,2AC S2 90	E220ACS23S3	24	176	217	277	15