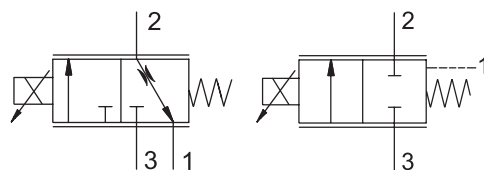


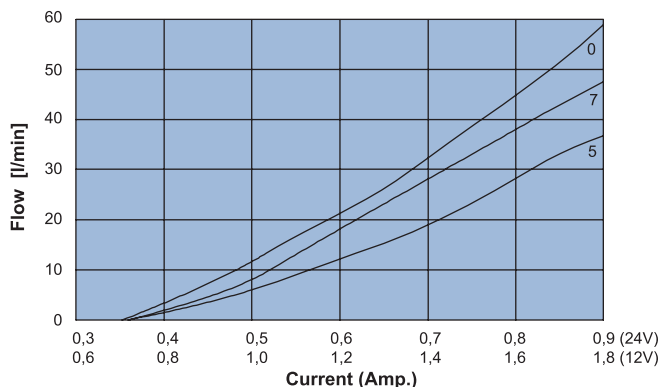
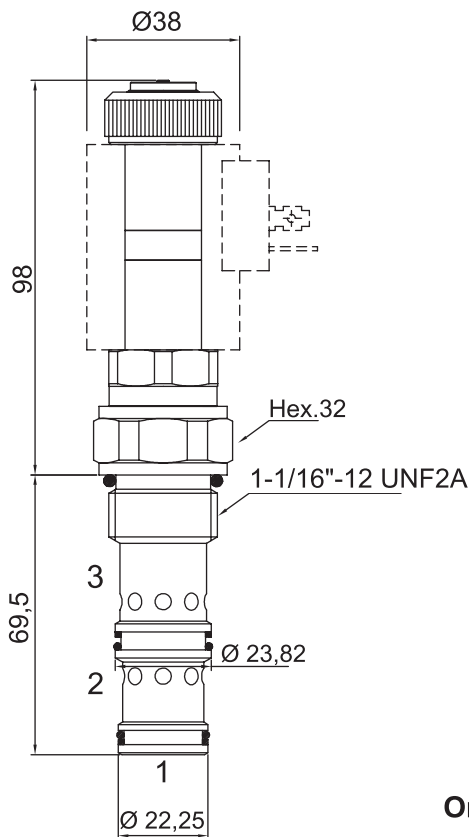
3 WAY NORMALLY CLOSED SPOOL VALVE, ELECTRO-PROPORTIONAL FLOW CONTROL

- Flow **70 l/min**
- Max working pressure..... **350 bar**
- Max working pressure in 1..... **10 bar**
- Application limits with Δp max from 3 to 2..... **15 bar**
- Leakage **250 cc/min**
- Seals **NBR and PTFE**
- Max current at 12 Vcc **1800mA**
- Max current at 24 Vcc **900mA**
- PWM **120 Hz**
- Hysteresis..... **5%**
- Cartridge tightening torque **50 Nm**
- Ring nut tightening torque **5 Nm**
- Weight (with coil)..... **0,70 Kg**
- Cavity **C340000** page 222
- Body..... **171412** page 197
- Coil (to be ordered separately) **09800** page 180

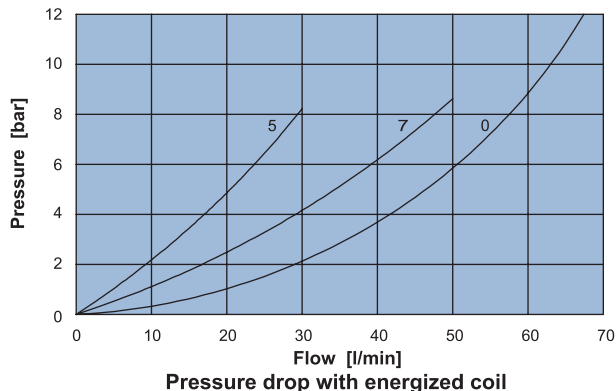


Scheme 0

Scheme 1



Graph flow/current with Δp from 3 to 2 of 7 bar
Graph 0 with Δp from 3 to 2 of 11 bar



Pressure drop with energized coil

Ordering code

0 3 5 4 **0** **0 1**

