



The direct control solenoid valves are particularly indicated for the assembling in any position thanks to their small dimensions. They are available in sizes M5, 1/8 and 1/4 in the functions 3/2 NC (norm.close) o NO, (norm. open).

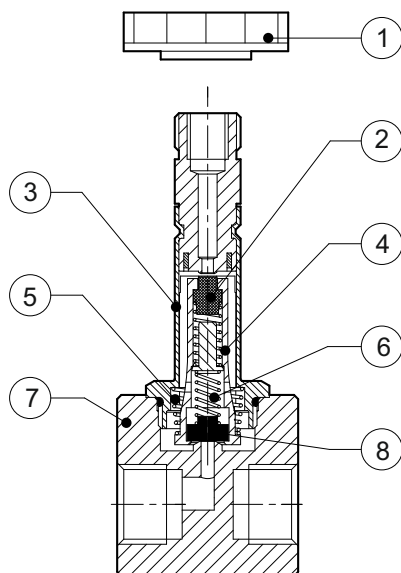
L'électrovalve à commande directe est particulièrement indiquée pour des montages quelque soit la position grâce à son faible encombrement. Elle est disponible dans les tailles M5-1/8-1/4 et la fonction en 3/2 normalement fermée ou normalement ouverte.

Gli elettropiloti a comando diretto sono particolarmente indicati per montaggio in qualsiasi posizione grazie alle dimensioni molto contenute. Sono disponibili nelle taglie M5, 1/8 e 1/4 nelle funzioni 3/2 NC (norm.chiuso) o NA (norm.aperto).

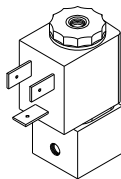
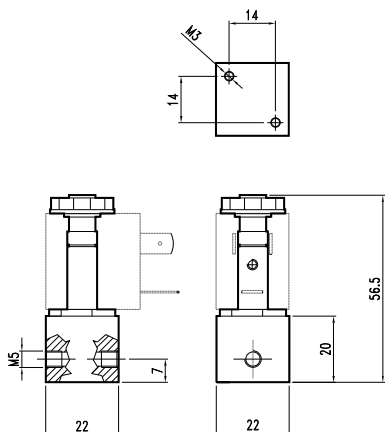
TECHNICAL DATA / DONNEES TECHNIQUES / DATI TECNICI

Fluid / Fluide / Fluido	lubricated or non lubricated air / Air lubrifié ou non / aria con o senza lubrificazione
Type / Type / Tipo	3/2 NC NA / 3/2 NC NO
Max operating pressure / Pression max d'utilisation / Pressione massima di esercizio	10 bar
Max working temperature / Température max d'utilisation / Temperatura max di esercizio	-10C° + 50 C°
Flow rate to 6 bar and Δp 1 bar / Débit a 6 bar et Δp 1 bar / Portata a 6 bar e Δp 1 bar	M5: 40 NI/min - 1/8: 50NI/min - 1/4: 50NI/min
Nominal orifice / Diamètre nominal / Diametro nominale	1,5mm
Tension tolerance / Tolérance de tension / Tolleranza di tensione	-10% - +15%
Response time / Temps de réponse / Tempo di risposta	10ms
Duty cycle / Temps d'enclenchement / Inserimento	ED 100%
Rated power consumption / Consommation / Consumo a regime	DC: 3W - AC: 5VA
Coils tension / Tension bobine / Tensione bobine	24VDC - 24VAC - 110VAC - 220VAC 50/60Hz
Protection / Protection / Protezione /	IP 67

COMPONENTS / COMPOSANTS / COMPONENTI

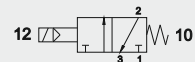


pos.	description / description / descrizione	material / Matière / Materiale
1	nut / ecrou / dado	plastic / plastique / plastica
2	seal / joint / guarnizione	NBR
3	body / corps / corpo	brass / laiton / ottone
4	mobile core / tiroir / nucleo mobile	brass / laiton / ottone
5	spring / ressort / molla	steel / acier / acciaio
6	spring / ressort / molla	steel / acier / acciaio
7	body valve / corps valve / corpo valvola	aluminium / aluminium / alluminio
8	seal / joint / guarnizione	NBR



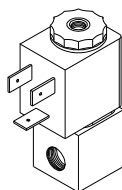
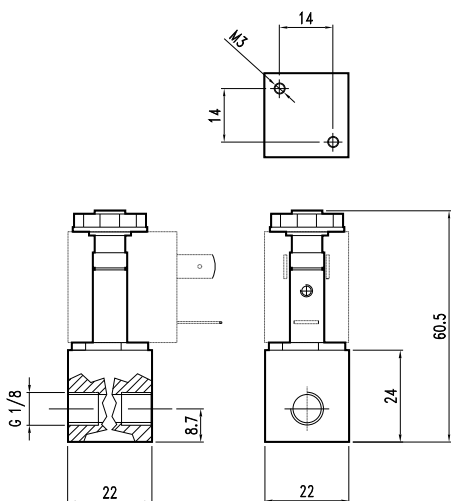
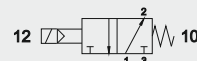
M5 3/2 NC  
M5 3/2 NF  
M5 3/2 NC

CODE: VD3122



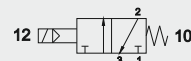
M5 3/2 NO  
M5 3/2 NO  
M5 3/2 NA

CODE: VD3121



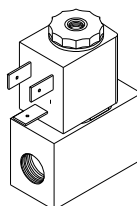
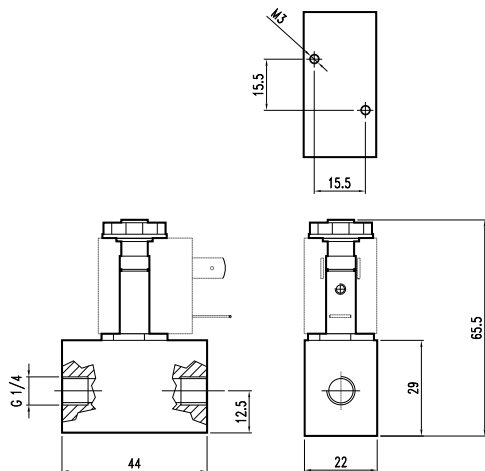
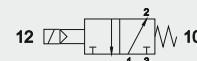
1/8 3/2 NC  
1/8 3/2 NF  
1/8 3/2 NC

CODE: VD3222



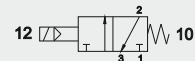
1/8 3/2 NO  
1/8 3/2 NO  
1/8 3/2 NA

CODE: VD3221



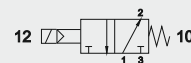
1/4 3/2 NC  
1/4 3/2 NF  
1/4 3/2 NC

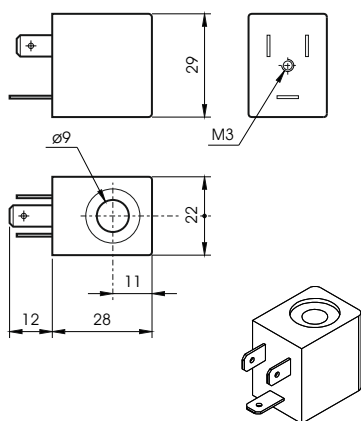
CODE: VD3322



1/4 3/2 NO  
1/4 3/2 NO  
1/4 3/2 NA

CODE: VD3321



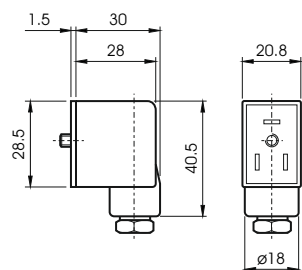


COILS / BOBINE / BOBINE

CODE	Power / Absorption / Assorbimento		
	Tension	Rated	Inrush
	Tension	Résistance	De sortie
	Tensione	a regime	di spunto
BO4011024	24 VDC	3W	
BO4012024	24 VAC	5VA	7,5VA
BO4012110	110 VAC	5VA	7,5VA
BO4012220	220 VAC	5VA	7,5VA

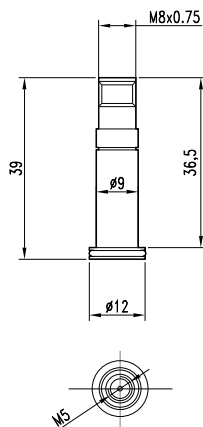
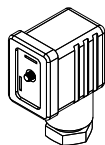
TECHNICAL SPECIFICATIONS  
CARACTERISTIQUES TECHNIQUES  
CARATTERISTICHE TECNICHE

Tension tolerance / Tolérance / Tolleranza di tensione	+10%
Protection with connector / Protection avec connecteur / Protezione con connettore	IP65
Max working temperature / Température max d'utilisation / Temperatura max di esercizio	+50 C°
Duty cycle / Temps d'enclenchement / Inserimento	ED 100%



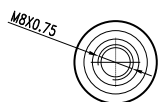
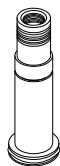
CONNECTORS  
CONNECTEUR  
CONNETTORI

CODE	
AR40696	STANDARD
VX0014	LED 24V
VX0015	LED 110V
VX0016	LED 220V
VX0017	LED+VDR 24V
VX0018	LED+VDR 110V
VX0019	LED+VDR 220V



SOLENOID PILOT  
ELECTROPILOTE  
ELETTROPILOTA

CODE: EP43603



NUT  
ECROU  
DADO

CODE: DA42937

