



Extended range of manual valves with different operations: 90° lever, lever on top, drawer, with adaptor for all actuators on panel.
Available in size 1/8 and 1/4, available functions are 3/2, 5/2, 5/3.
Entirely in aluminium to grant strength and long durability.

Gamme tres large des distributeurs à commande manuelle: à levier 90°, poussé tiré, à bouton, montage sur panneau.

Disponible en taille 1/8 et 1/4, fonction 3/2, 5/2 et 5/3.

Sa construction en aluminium assure une grande robustesse et une très grande fiabilité.

Vastissima gamma di valvole manuali caratterizzate da diverse tipologie di azionamenti: leva 90°, leva in testa, frettto, con adattatore per ospitare tutti i tipi di attuatori a pannello.

Sono disponibili nelle taglie 1/8 e 1/4 e nelle funzioni 3/2, 5/2 e 5/3.

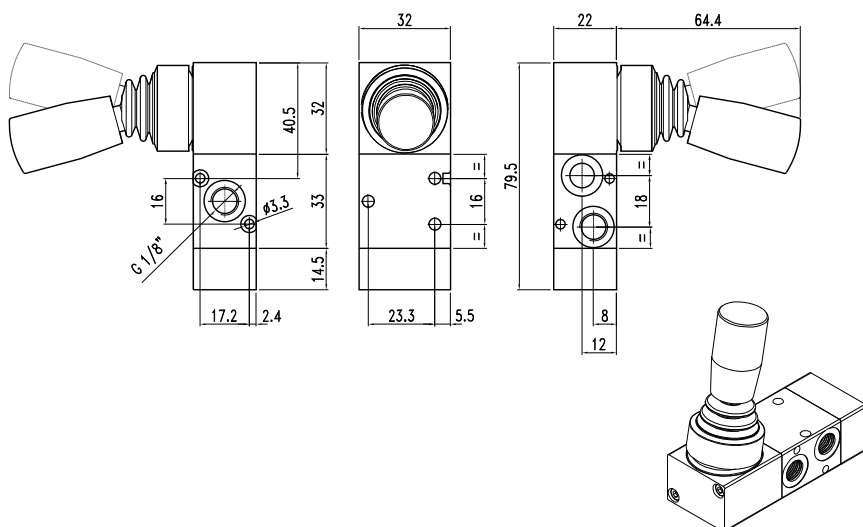
Costruzione interamente in alluminio per garantire robustezza e durata nel tempo.

TECHNICAL DATA / DONNEES TECHNIQUES / DATI TECNICI

Fluid / Fluide / Fluido	Lubricated or non lubricated air / Air lubrifié ou non / Aria con o senza lubrificazione
Temperature range / Température d'utilisation / Temperatura di esercizio	Max +60C°
Max operating pressure / Pression max d'utilisation / Pressione massima di esercizio	10 bar
Nominal orifice / Diamètre nominal / Diametro nominale	1/8: 5 mm - 1/4: 7,5mm
Flow rate 6 bar Δp 1bar / Débit a 6 bar Δp 1bar / Portata a 6 bar Δp 1bar	1/8=550 Nl/min. / 1/4=1100 Nl/min

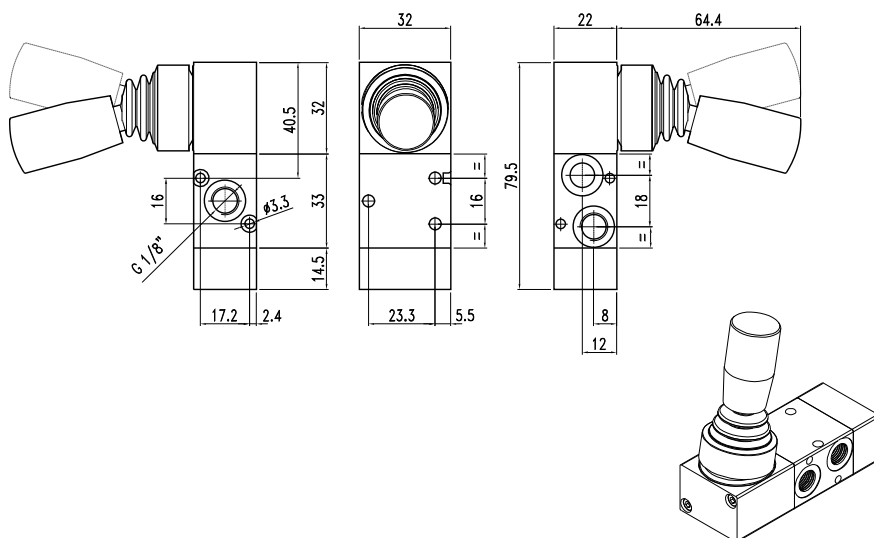
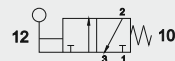
FAST SELECT / SELECTION RAPIDE / SELEZIONE RAPIDA

	90° lever monostable / Levier 90° monostable / Leva 90° monstabile VM4010083201 3/2 1/8 NC / NF / NC VM4010083301 3/2 1/4 NC / NF / NC		Push/pull monostable / Pousser tirer monostable / Tiretto monostabile VM4010095201 5/2 1/8 VM4010095301 5/2 1/4
	90° lever monostable / Levier 90° monostable / Leva 90° monstabile VM4010085201 5/2 1/8 VM4010085301 5/2 1/4		Push/pull bistable / Pousser tirer bistable / Tiretto bistable VM4010093202 3/2 1/8 NC / NF / NC VM4010093302 3/2 1/4 NC / NF / NC
	90° lever bistable / Levier 90° bistable / Leva 90° bistabile VM4010083202 3/2 1/8 VM4010083302 3/2 1/4		Push/pull bistable / Pousser tirer bistable / Tiretto bistable VM4010095202 5/2 1/8 VM4010095302 5/2 1/4
	90° bistable lever / Levier 90° bistable / Leva 90° - bistabile VM4010085202 5/2 1/8 VM4010085302 5/2 1/4		Top lever bistable / Levier bistable / Leva in testa bistabile VM4010103202 3/2 1/8 VM4010103302 3/2 1/4
	90° lever monostable / Levier 90° monostable / Leva 90° monstabile VM4010086211 5/3 1/8 CC / CF / CC VM4010086311 5/3 1/4 CC / CF / CC		Top lever bistable / Levier bistable / Leva in testa bistabile VM4010105202 5/2 1/8 VM4010105302 5/2 1/4
	90° lever monostable / Levier 90° monostable / Leva 90° monstabile VM4010086221 5/3 1/8 CO / CO / CA VM4010086321 5/3 1/4 CO / CO / CA		Adaptor monostable/ Bouton 90° monos./Adattatore 90° monos. VM4012023201 3/2 1/8 NC / NF / NC
	90° lever monostable / Levier 90° monostable / Leva 90° monstabile VM4010086231 5/3 1/8 CP / CP / CP VM4010086331 5/3 1/4 CP / CP / CP		Adaptor monostable/ Bouton 90° monos./Adattatore 90° monos. VM4011023201 3/2 1/8 NO / NO / NA
	90° lever 3 stable pos. / Levier 90° 3 pos stables / Leva 90° 3 pos. stabill VM4010086212 5/3 1/8 CC / CF / CC VM4010086312 5/3 1/4 CC / CF / CC		Adaptor monostable/Bouton monostable/Adattatore monostabile VM4010025201 5/2 1/8
	90° lever 3 stable pos. / Levier 90° 3 pos stables / Leva 90° 3 pos. stabill VM4010086222 5/3 1/8 CO / CO / CA VM4010086322 5/3 1/4 CO / CO / CA		Adaptor monostable/ Bouton 90° monos./Adattatore 90° monos. VM4012193201 3/2 1/8 NC / NF / NC
	90° lever 3 stable pos. / Levier 90° 3 pos stables / Leva 90° 3 pos. stabill VM4010086232 5/3 1/8 CP / CP / CP VM4010086332 5/3 1/4 CP / CP / CP		Adaptor monostable/ Bouton 90° monos./Adattatore 90° monos. VM4011193201 3/2 1/8 NO / NO / NA
	Push/pull monostable / Pousser tirer monostable / Tiretto monostabile VM4010093201 3/2 1/8 NC / NF / NC VM4010093301 3/2 1/4 NC / NF / NC		Adaptor monostable/ Bouton 90° monos./Adattatore 90° monos. VM4010195201 5/2 1/8



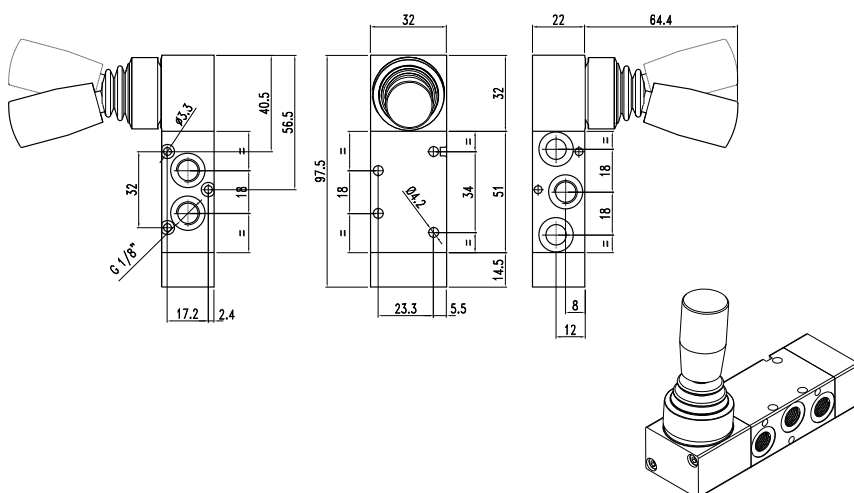
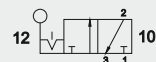
1/8 - 3/2 NC 90° lever monostable
1/8 - 3/2 NF levier 90° monostable
1/8 - 3/2 NC leva 90° monostabile

CODE: VM4010083201



1/8 - 3/2 NC 90° lever bistable
1/8 - 3/2 NF levier 90° bistable
1/8 - 3/2 NC leva 90° bistabile

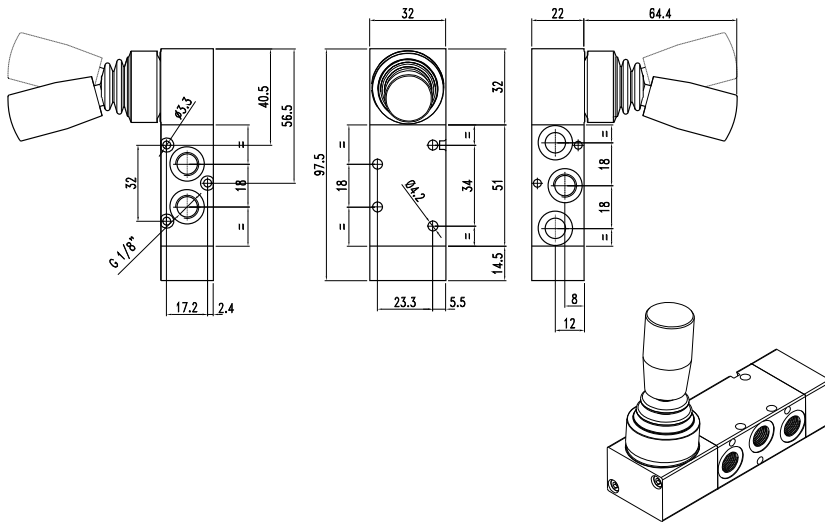
CODE: VM4010083202



1/8 - 5/2 leva 90° monostable
1/8 - 5/2 levier 90° monostable
1/8 - 5/2 90° lever monostabile

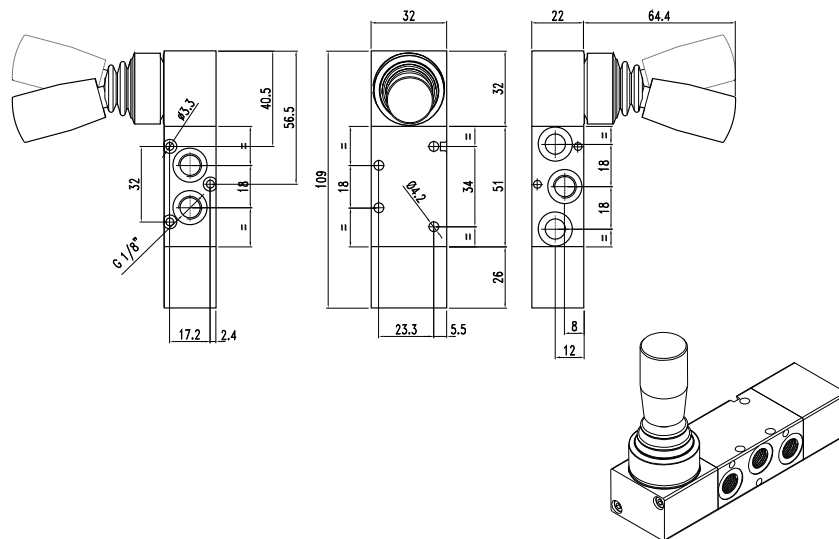
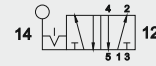
CODE: VM4010085201





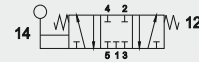
1/8 - 5/2 90° lever bistable
1/8 - 5/2 levier 90° bistable
1/8 - 5/2 leva 90° bistabile

CODE: VM4010085202



1/8 - 5/3 90° lever monostable
1/8 - 5/3 levier 90° monostable
1/8 - 5/3 leva 90° monostabile

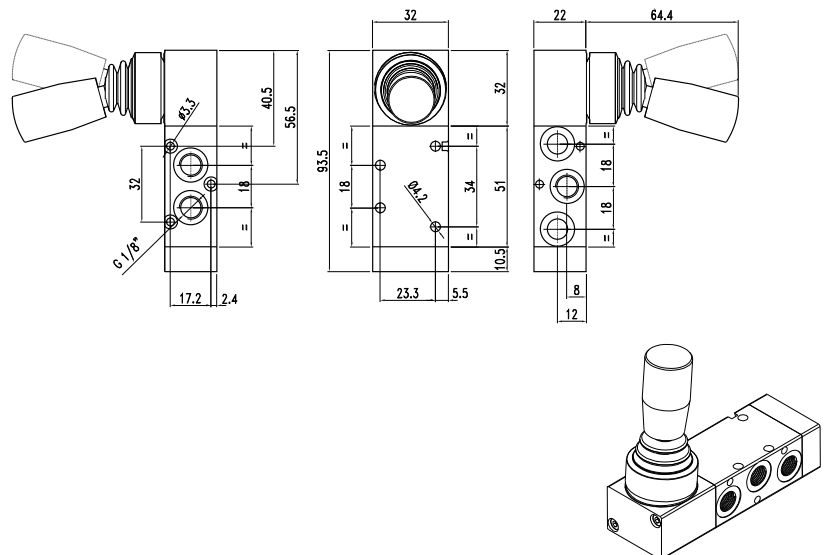
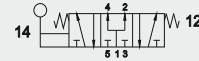
CODE: VM4010086211 CC / CF / CC



CODE: VM4010086221 CO / CO / CA

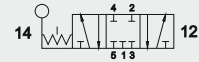


CODE: VM4010086231 CP / CP / CP



1/8 - 5/3 90° lever three positions stable
1/8 - 5/3 levier 90° trois positions stables
1/8 - 5/3 leva 90° tre posizioni stabili

CODE: VM4010086212 CC / CF / CC

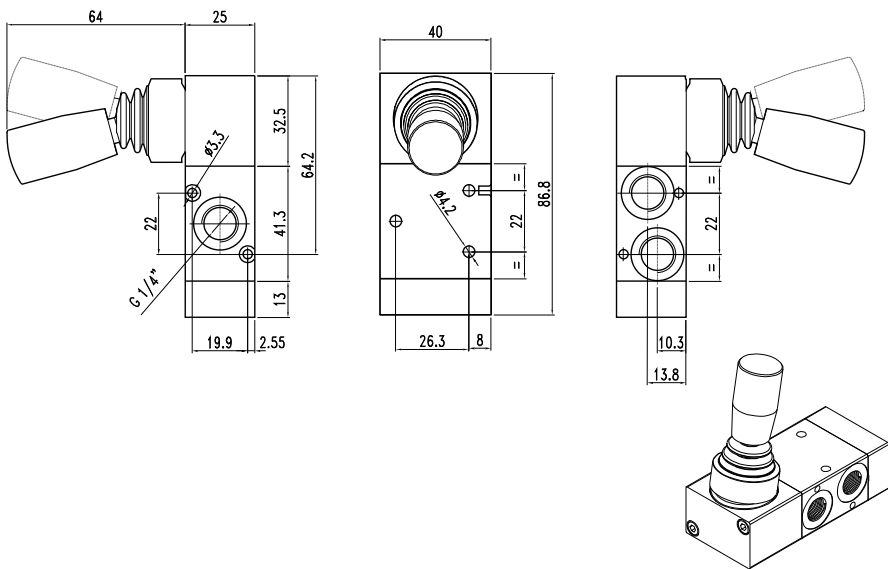


CODE: VM4010086222 CO / CO / CA



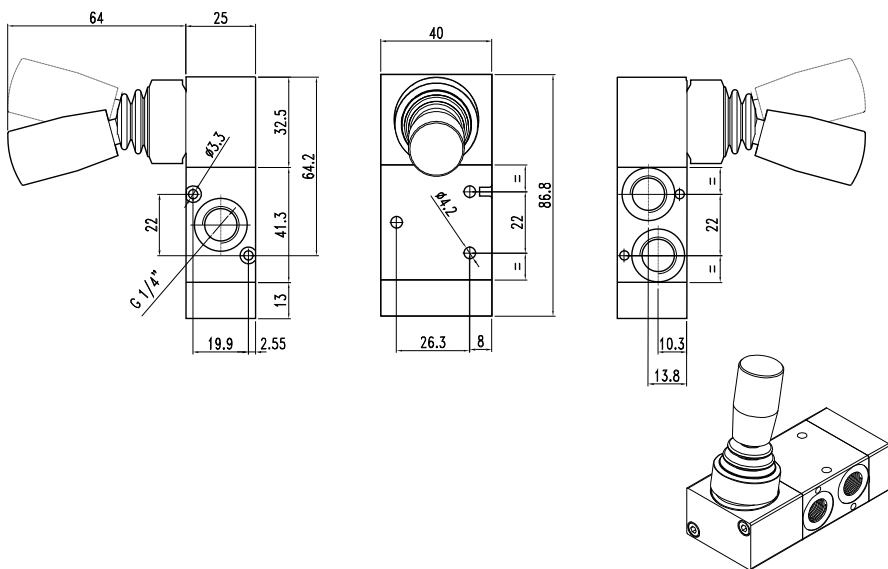
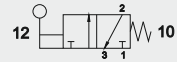
CODE: VM4010086232 CP / CP / CP





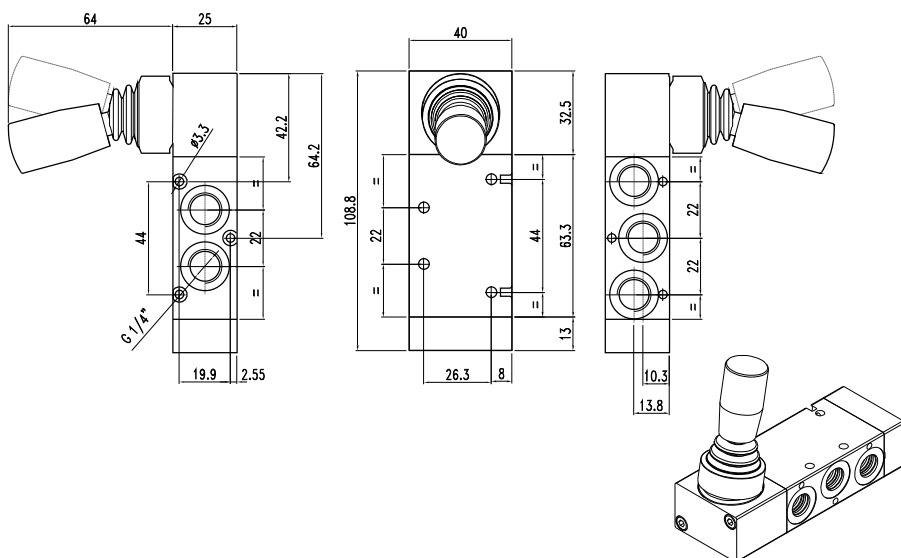
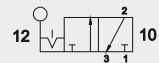
1/4 - 3/2 NC 90° lever monostable
1/4 - 3/2 NF levier 90° monostable
1/4 - 3/2 NC leva 90° monostabile

CODE: VM4010083301



1/4 - 3/2 NC 90° lever bistable
1/4 - 3/2 NF levier 90° bistable
1/4 - 3/2 NC leva 90° bistable

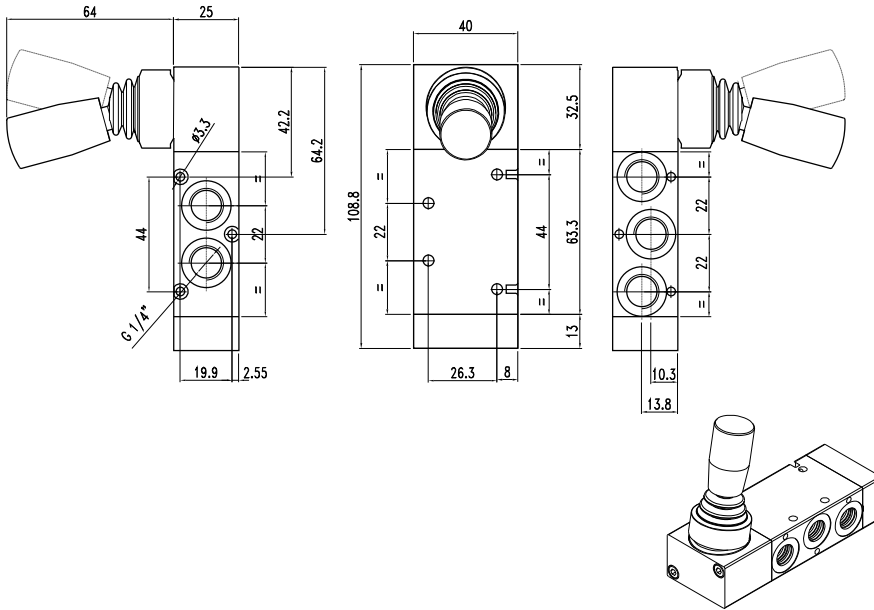
CODE: VM4010083302



1/4 - 5/2 90° lever monostable
1/4 - 5/2 levier 90° monostable
1/4 - 5/2 leva 90° monostabile

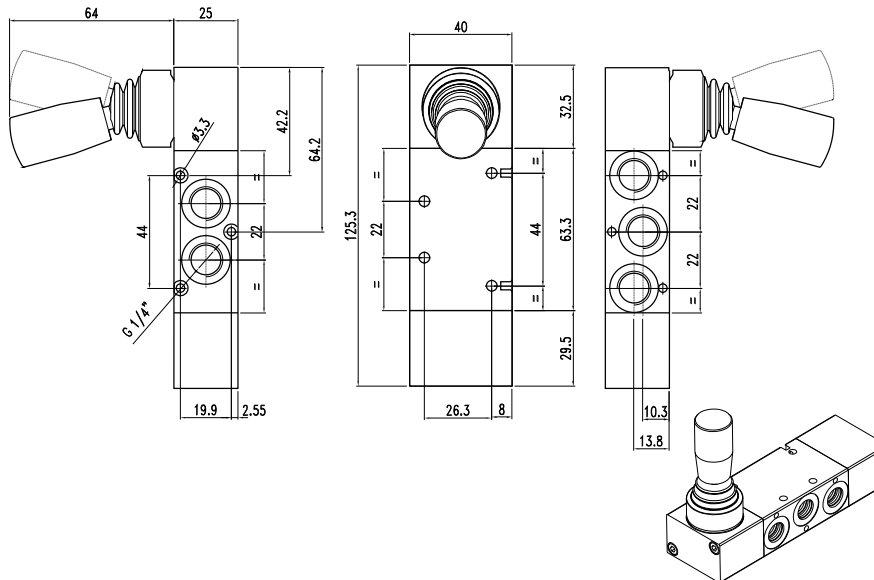
CODE: VM4010085301





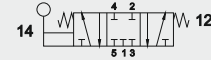
1/4 - 5/2 90° lever bistable
1/4 - 5/2 levier 90° bistable
1/4 - 5/2 leva 90° bistabile

CODE: VM4010085302

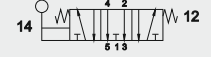


1/4 - 5/3 90° lever monostable
1/4 - 5/3 levier 90° monostable
1/4 - 5/3 leva 90° monostabile

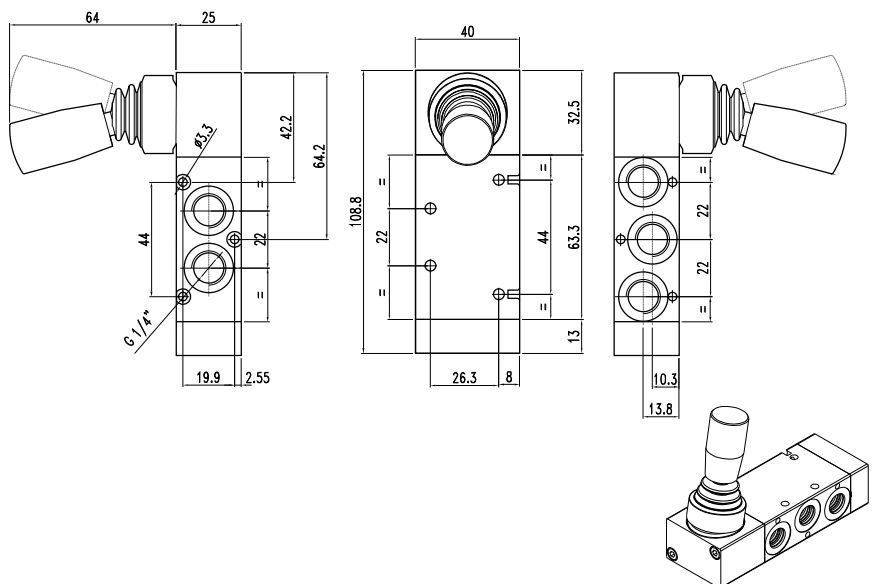
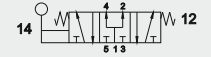
CODE: VM4010086311 CC / CF / CC



CODE: VM4010086321 CO / CO / CA

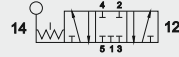


CODE: VM4010086331 CP / CP / CP

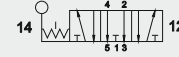


1/4 - 5/3 90° lever three stable positions
1/4 - 5/3 levier 90° trois positions stables
1/4 - 5/3 leva 90° tre posizioni stabili

CODE: VM4010086312 CC / CF / CC

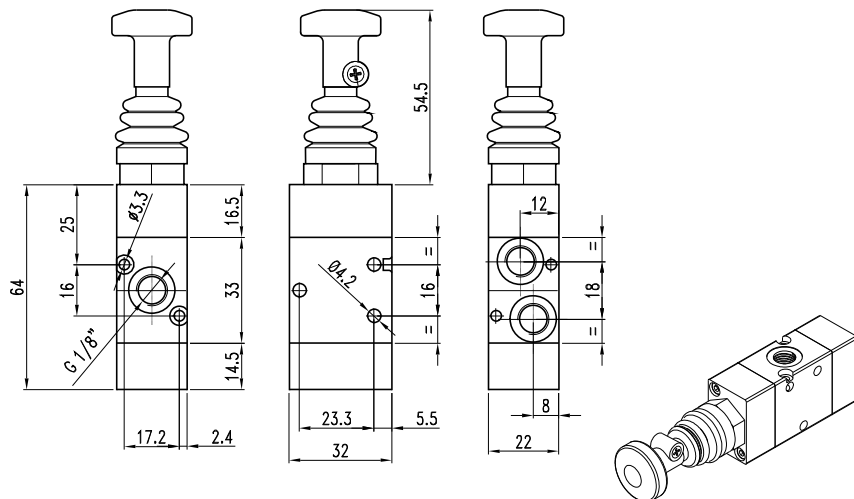


CODE: VM4010086322 CO / CO / CA



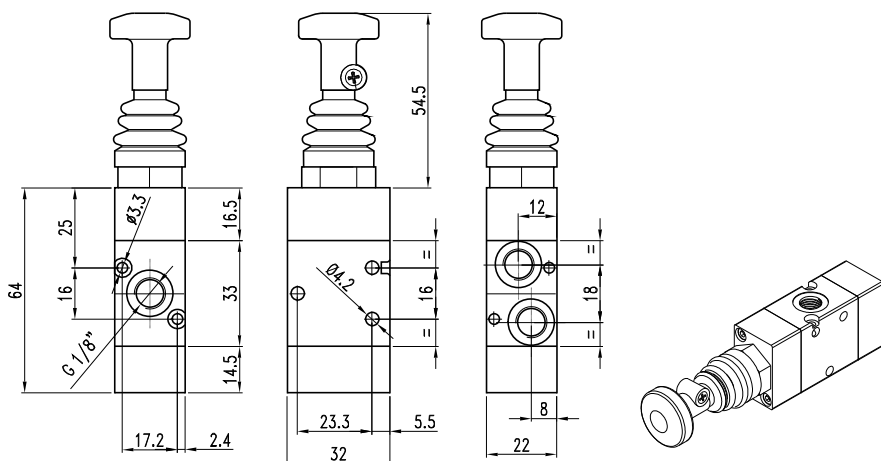
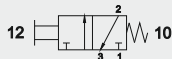
CODE: VM4010086332 CP / CP / CP





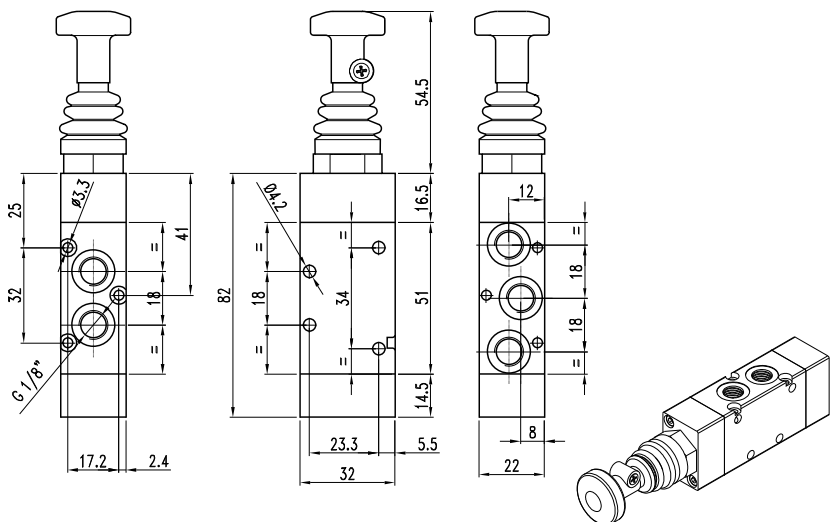
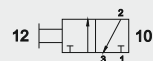
1/8 - 3/2 NC push/pull monostable
1/8 - 3/2 NF pousser tirer monostable
1/8 - 3/2 NC tiretto monostabile

CODE: VM4010093201



1/8 - 3/2 NC push/pull bistable
1/8 - 3/2 NF pousser tirer bistable
1/8 - 3/2 NC tiretto bistabile

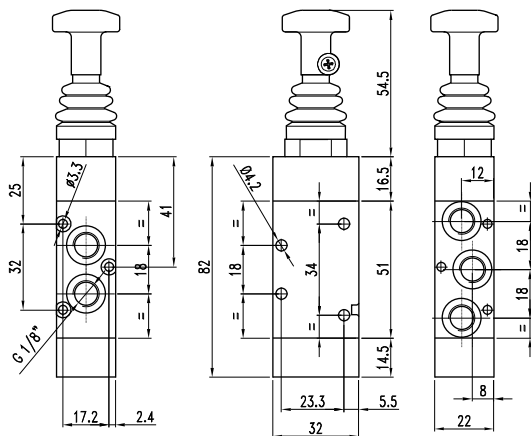
CODE: VM4010093202



1/8 - 5/2 push/pull monostable
1/8 - 5/2 pousser tirer monostable
1/8 - 5/2 tiretto monostabile

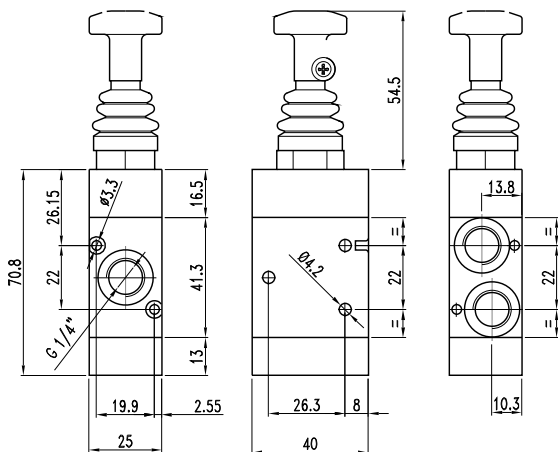
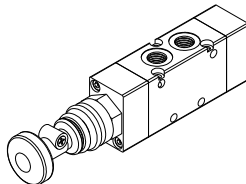
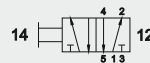
CODE: VM4010095201





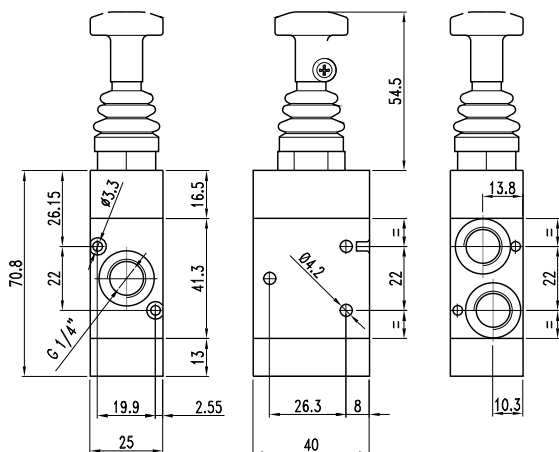
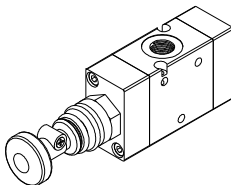
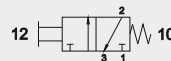
1/8 - 5/2 push/pull bistable
1/8 - 5/2 pousser tirer bistable
1/8 - 5/2 tiretto bistabile

CODE: VM4010095202



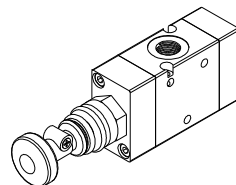
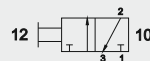
1/4 - 3/2 NC push/pull monostable
1/4 - 3/2 NF pousser tirer monostable
1/4 - 3/2 NC tiretto monostabile

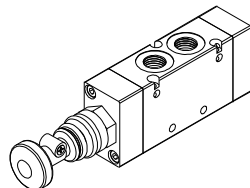
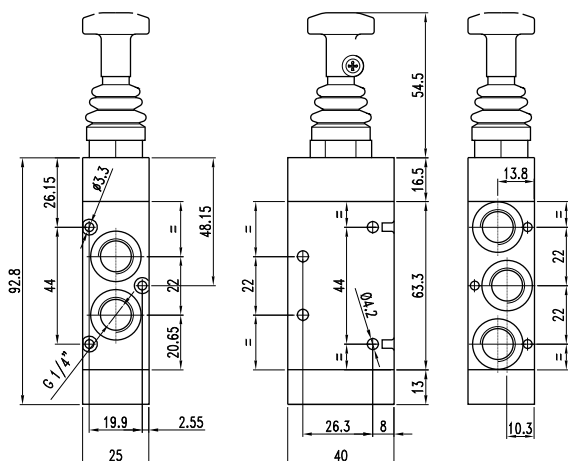
CODE: VM4010093301



1/4 - 3/2 NC push/pull bistable
1/4 - 3/2 NF pousser tirer bistable
1/4 - 3/2 NC tiretto bistabile

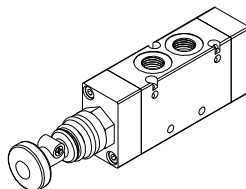
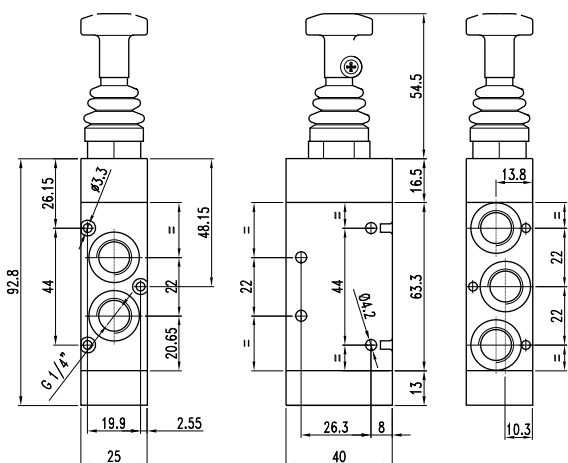
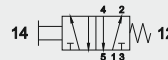
CODE: VM4010093302





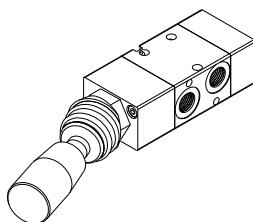
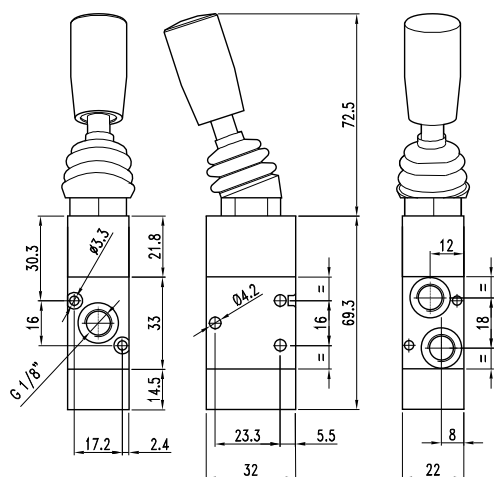
1/4 - 5/2 push/pull monostable
1/4 - 5/2 pousser tirer monostable
1/4 - 5/2 taretto monostabile

CODE: VM4010095301



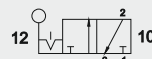
1/4 - 5/2 push/pull bistable
1/4 - 5/2 pousser tirer bistable
1/4 - 5/2 taretto bistabile

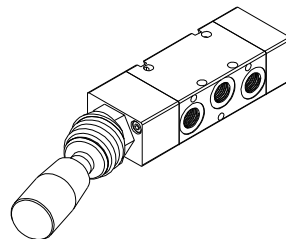
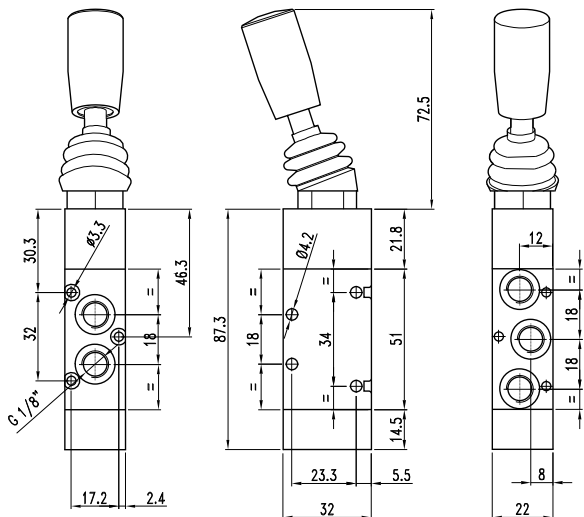
CODE: VM4010095302



1/8 - 3/2 NC lever in top bistable
1/8 - 3/2 NF levier bistable
1/8 - 3/2 NC leva in testa bistable

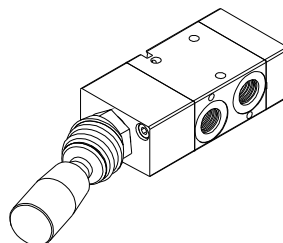
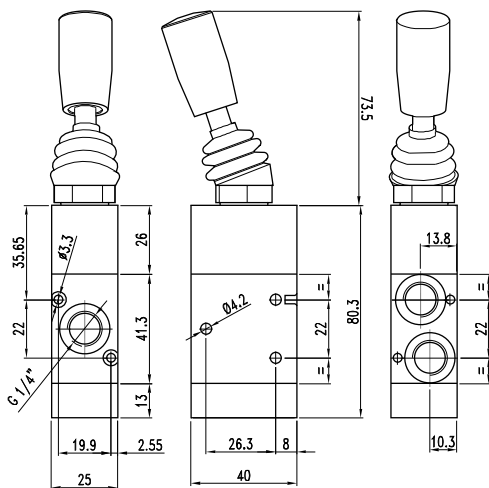
CODE: VM4010103202





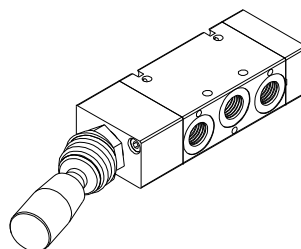
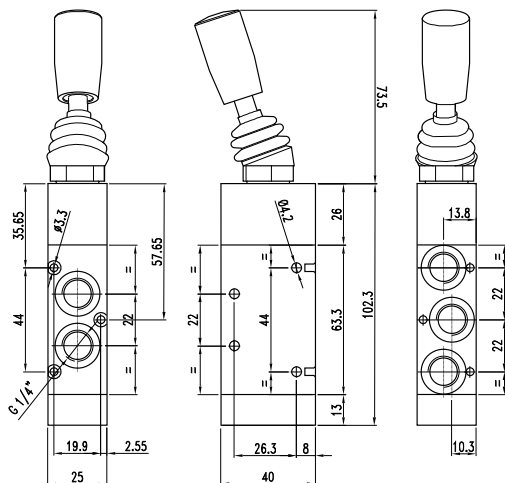
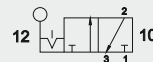
1/8 - 5/2 top lever bistable
1/8 - 5/2 levier bistable
1/8 - 5/2 leva in testa bistabile

CODE: VM4010105202



1/4 - 3/2 NC top lever bistable
1/4 - 3/2 NF levier bistable
1/4 - 3/2 NC leva in testa bistabile

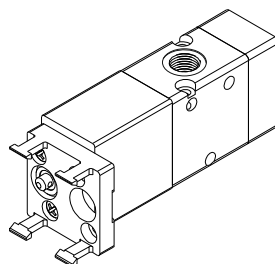
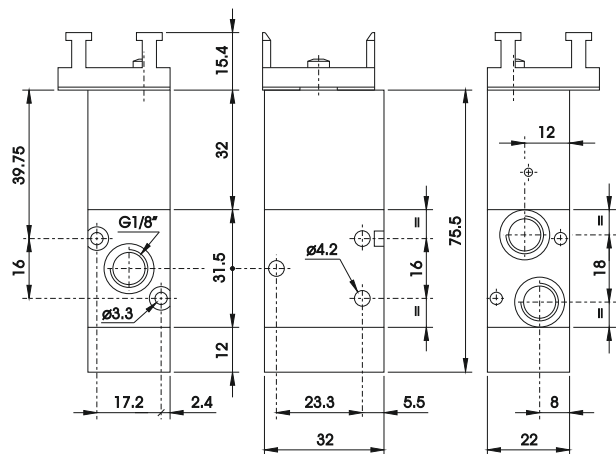
CODE: VM4010103302



1/4 - 5/2 top lever bistable
1/4 - 5/2 levier bistable
1/4 - 5/2 leva in testa bistabile

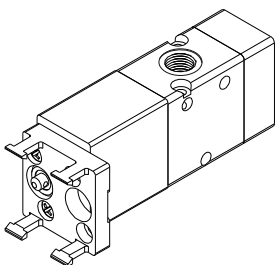
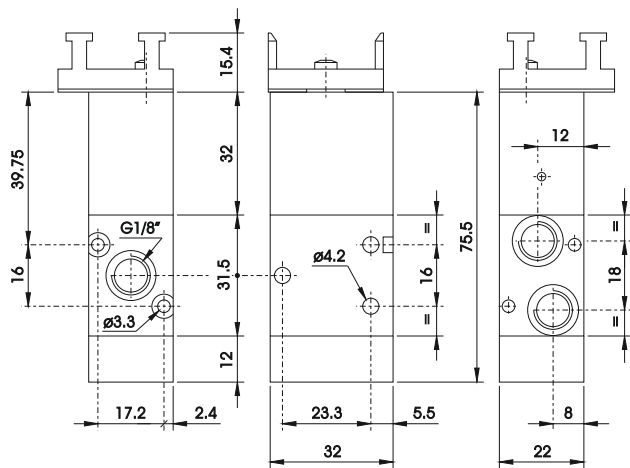
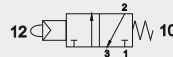
CODE: VM4010105302





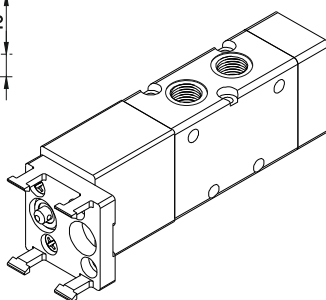
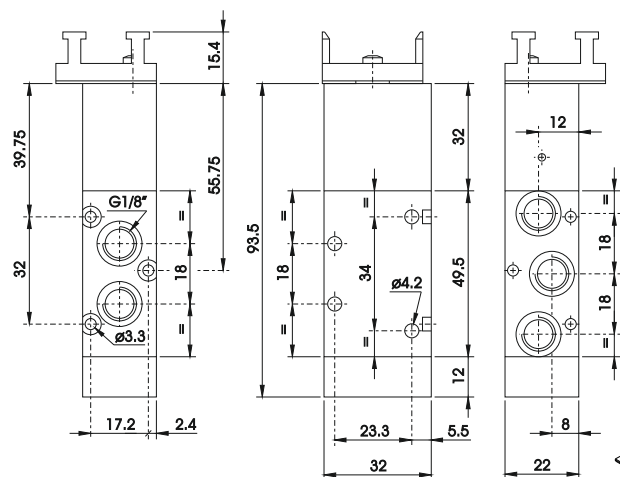
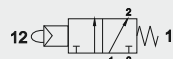
1/8 - 3/2 NC adaptor in top monostable
1/8 - 3/2 NF bouton monostable
1/8 - 3/2 NC adattatore in testa monostabile

CODE: VM401 2023201



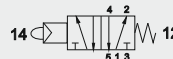
1/8 - 3/2 NO adaptor in top monostable
1/8 - 3/2 NO bouton monostable
1/8 - 3/2 NA adattatore in testa monostabile

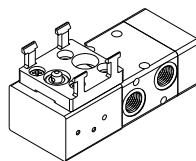
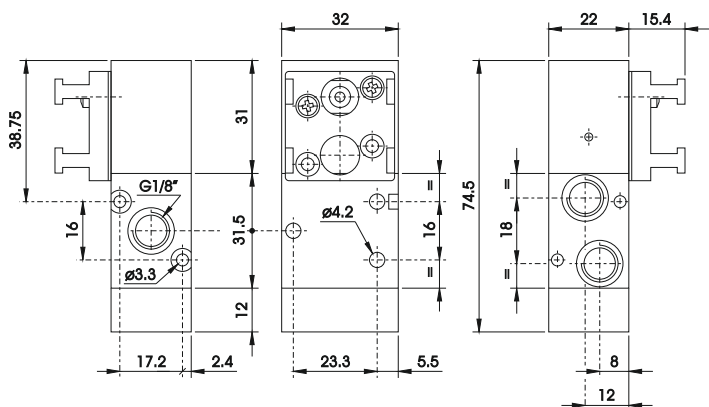
CODE: VM401 1023201



1/8 - 5/2 adaptor in top monostable
1/8 - 5/2 bouton monostable
1/8 - 5/2 adattatore in testa monostabile

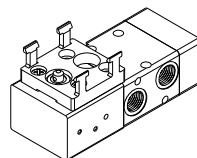
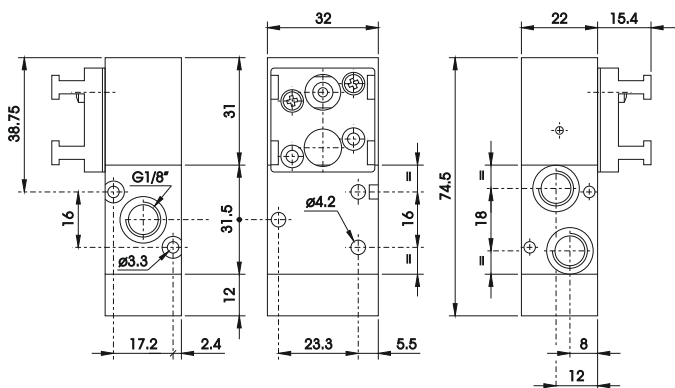
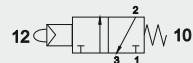
CODE: VM401 0025201





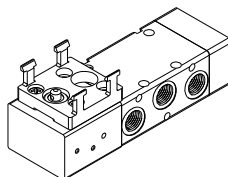
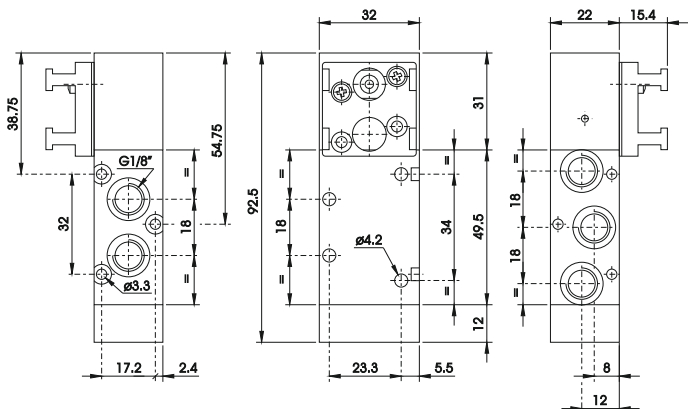
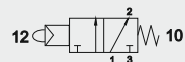
1/8 - 3/2 NC 90° adaptor monostable
1/8 - 3/2 NF bouton a 90° monostable
1/8 - 3/2 NC adattatore a 90° monostabile

CODE: VM4012193201



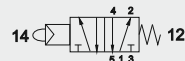
1/8 - 3/2 NO 90° adaptor monostable
1/8 - 3/2 NO bouton a 90° monostable
1/8 - 3/2 NA adattatore a 90° monostabile

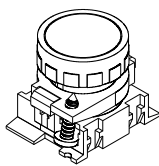
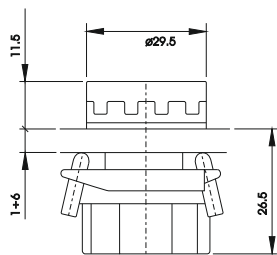
CODE: VM4011193201



1/8 - 5/2 90° adaptor monostable
1/8 - 5/2 bouton a 90° monostable
1/8 - 5/2 adattatore a 90° monostabile

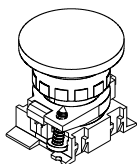
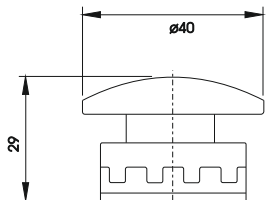
CODE: VM4010195201





PROTECTED PUSH BUTTON
BOUTON POUSSOIR
PULSANTE PROTETTO

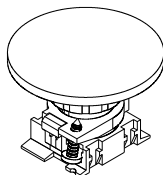
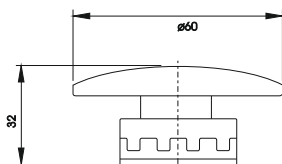
CODE: AP401



Ø40 MUSHROOM
CHAMPIGNON Ø40
FUNGO Ø40

CODE: AP402
CODE: AP402A

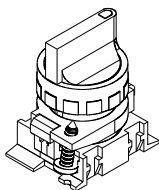
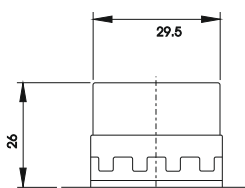
monostable / monostable / monostabile
turn to unlock / tourner pour déverrouiller /
sblocco a rotazione



Ø60 PALM
POUSSE - TOURNE Ø60
FUNGO Ø60

CODE: AP403
CODE: AP403A

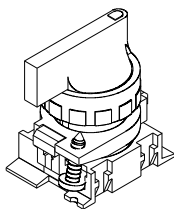
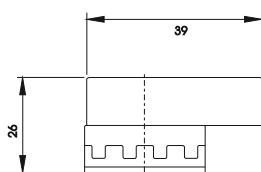
monostable / monostable / monostabile
turn to unlock / tourner pour déverrouiller /
sblocco a rotazione



SHORT LEVER SELECTOR
BOUTON A LEVIER COURT
SELETTORE LEVA CORTA

CODE: AP404
CODE: AP404A

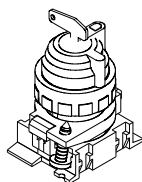
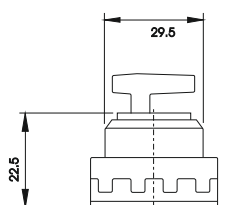
monostable / monostable / monostabile
bistable / bistable / bistabile



LONG LEVER SELECTOR
BOUTON A LEVIER LONG
SELETTORE LEVA LUNGA

CODE: AP405
CODE: AP405A

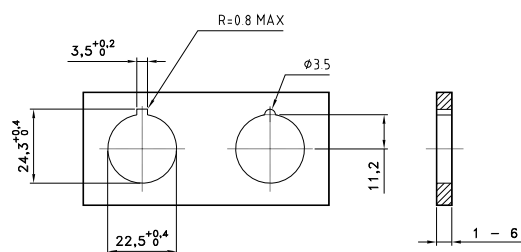
monostable / monostable / monostabile
bistable / bistable / bistabile



KEY SELECTOR
BOUTON A CLE
SELETTORE A CHIAVE

CODE: AP406

bistable / bistable / bistabile



PANEL MOUNTING HOLE
PERCAGE POUR MONTAGE SUR PANNEAU
FORO PER MONTAGGIO A PANNELLO